

Xerox DocuPrint 4850/4890/92C NPS/IPS

System Overview Guide

721P90160
Version 8.0
October 2002

Xerox Corporation
701 S. Aviation Boulevard
El Segundo, CA 90245

©2002 by Xerox Corporation. All rights reserved.

Copyright protection claimed includes all forms and matters of copyrightable material and information now allowed by statutory or judicial law or hereinafter granted, including without limitation, material generated from the software programs which are displayed on the screen, such as icons, screen displays, looks, etc.

Printed in the United States of America.

Publication number: 721P90160

Xerox® and all Xerox products mentioned in this publication are trademarks of Xerox Corporation. Products and trademarks of other companies are also acknowledged.

Changes are periodically made to this document. Changes, technical inaccuracies, and typographic errors will be corrected in subsequent editions.

Table of contents

| | |
|---|------------|
| Safety | vii |
| Laser safety | vii |
| Ozone information: U. S. only | viii |
| Operation safety: U. S. | viii |
| Operation safety: Europe | ix |
| Warning markings | ix |
| Electrical supply | x |
| Ventilation | x |
| Operator accessible areas | x |
| Maintenance | xi |
| Before cleaning your product | xi |
| CE mark: Europe only | xi |
| Radio and telecommunications equipment directive (Europe only) | xii |
| For further information | xiii |
| | |
| Introduction | xv |
| About this guide | xv |
| Contents | xv |
| Conventions | xvi |
| Related publications | xvii |
| | |
| 1. System overview | 1-1 |
| Functional overview of the NPS/IPS | 1-1 |
| Resolution | 1-2 |
| System components overview | 1-2 |
| Connectivity configurations | 1-3 |
| NPS/IPS concurrent printing | 1-3 |
| Document Feeding and Finishing Architecture (DFA) | 1-4 |
| SNMP support | 1-4 |
| IPP support | 1-5 |
| Sixth Sense | 1-5 |
| Software license | 1-6 |
| How highlight color is created | 1-7 |
| How to convert full color to highlight color | 1-7 |
| Color substitution | 1-8 |

| | |
|---|------------|
| 2. Printer controller overview | 2-1 |
| Printer controller components | 2-2 |
| Sun Blade 1000 workstation | 2-2 |
| Sun Ultra 60 workstation | 2-5 |
| Printer controller software and fonts | 2-7 |
| 3. Printer components and options | 3-1 |
| Printer components | 3-1 |
| Printer console | 3-2 |
| Additional printer features | 3-6 |
| Printer configurations | 3-7 |
| High-capacity feeder | 3-8 |
| Dual stacker | 3-9 |
| Stitcher/stacker | 3-10 |
| Bypass transport (4850 and 4890 only) | 3-11 |
| Software, firmware, hardware, and paper requirements | 3-12 |
| Operator tasks for the bypass transport | 3-12 |
| Profiles for third-party finishing devices | 3-13 |
| Mechanical interface | 3-13 |
| Electrical connection | 3-15 |
| Paper paths | 3-16 |
| 4. Network printing environment | 4-1 |
| Client workstations and system software | 4-1 |
| Client software | 4-2 |
| Submitting print jobs | 4-2 |
| Communicating with the network | 4-3 |
| Job status feedback | 4-5 |
| Ethernet LAN | 4-6 |
| Token Ring | 4-6 |
| Multiple network connectivity | 4-7 |
| 5. IPDS printing environment | 5-1 |
| Host connectivity | 5-1 |
| Host environments | 5-1 |
| Channel interface —channel-attached systems only | 5-3 |
| Host Channel Unit (HCU)—channel-attached systems only | 5-4 |
| IPDS data stream | 5-5 |
| Software features for IPDS | 5-6 |
| IOCA Replicate and Trim | 5-6 |
| Trace facility | 5-6 |
| Overstrike, underscore, subscript, and superscript | 5-6 |
| Color image support | 5-7 |
| Background color for OCA colors | 5-7 |
| Bi-level IOCA colors | 5-7 |
| Outline font support | 5-7 |

| | |
|--|------------|
| A. Supplies | A-1 |
| Paper and other throughput stocks | A-1 |
| Selecting paper | A-1 |
| Paper care | A-3 |
| Other supplies | A-5 |
| Dry ink | A-6 |
| Fuser lubricant | A-6 |
| Developer | A-6 |
| Stitcher wire | A-7 |
| Diskettes | A-7 |
| Tapes | A-8 |
| Fonts | A-8 |
| Consumable supplies tables | A-9 |
| Paper and special stocks tables | A-9 |
| Complete supplies list—4850/4890/92C printer | A-12 |
| Ordering supplies | A-13 |

Safety

Laser safety

WARNING

Adjustments, use of controls, or performance of procedures other than those specified herein may result in hazardous light exposure.

The Xerox DocuPrint printers are certified to comply with the performance standards of the U.S. Department of Health, Education, and Welfare for Class 1 laser products. Class 1 laser products do not emit hazardous radiation. The DocuPrint printers do not emit hazardous radiation because the laser beam is completely enclosed during all modes of customer operation.

The laser danger labels on the system are for Xerox service representatives and are on or near panels or shields that must be removed with a tool.

DO NOT REMOVE LABELED PANELS OR PANELS NEAR LABELS. ONLY XEROX SERVICE REPRESENTATIVES HAVE ACCESS TO THESE PANELS.

DANGER

**LASER RADIATION WHEN OPEN
AVOID DIRECT EXPOSURE TO BEAM**

Ozone information: U. S. only

This product produces ozone during normal operation. The amount of ozone produced depends on copy volume. Ozone is heavier than air. The environmental parameters specified in the Xerox installation instructions ensure that concentration levels are within safe limits. If you need additional information concerning ozone, call 1-800-828-6571 to request the Xerox publication 600P83222, *OZONE*.

Operation safety: U. S.

Your Xerox equipment and supplies have been designed and tested to meet strict safety requirements. They have been approved by safety agencies, and they comply with environmental standards. Please observe the following precautions to ensure your continued safety.

WARNING

Improper connection of the equipment grounding conductor may result in risk of electrical shock.

- Always connect equipment to a properly grounded electrical outlet. If in doubt, have the outlet checked by a qualified electrician.
- Never use a ground adapter plug to connect equipment to an electrical outlet that lacks a ground connection terminal.
- Always place equipment on a solid support surface with adequate strength for its weight.
- Always use materials and supplies specifically designed for your Xerox equipment. Use of unsuitable materials may result in poor performance and may create a hazardous situation.
- Never move either the printer or the printer controller without first contacting Xerox for approval.
- Never attempt any maintenance that is not specifically described in this documentation.
- Never remove any covers or guards that are fastened with screws. There are no operator-serviceable areas within these covers.
- Never override electrical or mechanical interlocks.

- Never use supplies or cleaning materials for other than their intended purposes. Keep all materials out of the reach of children.
- Never operate the equipment if you notice unusual noises or odors. Disconnect the power cord from the electrical outlet and call service to correct the problem.

If you need any additional safety information concerning the equipment or materials Xerox supplies, call Xerox Product Safety at the following toll-free number in the United States:

1-800-828-6571

For customers outside the United States, contact your local Xerox representative or operating company.

Operation safety: Europe

This Xerox product and supplies are manufactured, tested and certified to strict safety regulations, electromagnetic regulations and established environmental standards.

Any unauthorised alteration, which may include the addition of new functions or connection of external devices, may impact the product certification.

Please contact your Xerox representative for more information.

Warning markings

All warning instructions marked on or supplied with the product should be followed.



This WARNING alerts users to areas of the product where there is the possibility of personal damage.



This WARNING alerts users to areas of the product where there are heated surfaces, which should not be touched.

Electrical supply

This product shall be operated from the type of electrical supply indicated on the product's data plate label. If you are not sure that your electrical supply meets the requirements, please consult your local power company for advice.



This product must be connected to a protective earth circuit. This product is supplied with a plug that has a protective earth pin. This plug will fit only into an earthed electrical outlet. This is a safety feature. Always connect equipment to a properly grounded electrical outlet. If in doubt, have the outlet checked by a qualified electrician.

To disconnect all electrical power to the product, the disconnect device is the power cord. Remove the plug from the electrical outlet.

Ventilation

Slots and opening in the enclosure of the product are provided for ventilation. Do not block or cover the ventilation vents, as this could result in the product overheating.

This product should not be placed in a built-in installation unless proper ventilation is provided, please contact your Xerox representative for advice.

Never push objects of any kind into the ventilation vents of the product.

Operator accessible areas

This product has been designed to restrict operator access to safe areas only. Operator access to hazardous areas is restricted with covers or guards, which would require a tool to remove. Never remove these covers or guards.

Maintenance

Any operator product maintenance procedures will be described in the user documentation supplied with the product. Do not carry out any maintenance on the product, which is not described in the customer documentation.

Before cleaning your product

Before cleaning this product, unplug the product from the electrical outlet. Always use materials specifically designated for this product, the use of other materials may result in poor performance and may create a hazardous situation. Do not use aerosol cleaners, they may be flammable under certain circumstances.

CE mark: Europe only



January 1, 1995: Council Directive 73/23/EEC, amended by Council Directive 93/68/EEC, approximation of the laws of the member states related to low voltage equipment.

January 1, 1996: Council Directive 89/336/EEC, approximation of the laws of the member states related to electromagnetic compatibility.

March 9, 1999: Council Directive 99/5/EC, on radio equipment and telecommunications terminal equipment and the mutual recognition of their conformity.

A full declaration of conformity, defining the relevant directives and referenced standards, can be obtained from your Xerox representative.

In order to allow this equipment to operate in proximity to Industrial, Scientific and Medical (ISM) equipment, the external radiation for the ISM equipment may have to be limited or special mitigation measures taken.

This is a Class A product. In a domestic environment this product may cause radio frequency interference, in which case the user may be required to take adequate measures.

Shielded interface cables must be used with this product to maintain compliance with Council Directive 89/36/EEC.

Radio and telecommunications equipment directive (Europe only)

Certification to 1999/5/EC Radio Equipment and Telecommunications Terminal Equipment Directive:

This Xerox product has been self-certified by Xerox for pan-European single terminal connection to the analog public switched telephone network (PSTN) in accordance with Directive 1999/5/EC.

The product has been designed to work with the national PSTNs and compatible PBXs of the following countries:

| | | | |
|---------|---------|-------------|----------------|
| Austria | Germany | Luxembourg | Sweden |
| Belgium | Greece | Netherlands | Switzerland |
| Denmark | Iceland | Norway | United Kingdom |
| Finland | Ireland | Portugal | |
| France | Italy | Spain | |

In the event of problems, contact your local Xerox representative in the first instance.

This product has been tested to, and is compliant with, TBR21, a specification for terminal equipment for use on analog switched telephone networks in the European Economic area.

The product may be configured to be compatible with other country networks. Please contact your Xerox representative if your product needs to be reconnected to a network in another country. This product has no user-adjustable settings.

NOTE: Although this product can use either loop disconnect (pulse) or DTMF (tone) signaling, it should be set to use DTMF signaling. DTMF signaling provides reliable and faster call setup.

Modification or connection to external control software, or to external control apparatus not authorized by Xerox, invalidates its certification.

For further information

For more information on Environment, Health and Safety in relation to this Xerox product and supplies, please contact the following customer help lines:

Europe:+44 1707 353434

USA:1 800 8286571

Canada:1 800 8286571

Introduction

This guide provides an overview of the individual components of the NPS/IPS printing system and how they work together. It is designed to provide you with background information that can be used to make informed decisions regarding printer use and performance.

About this guide

This guide provides information to help you quickly determine hardware, software, and connectivity requirements for printing from various clients to the DocuPrint NPS/IPS.

This reference is useful for users who want to understand the overall DocuPrint NPS/IPS. Managers can use the reference information to assist them in making planning decisions.

Contents

This section lists the contents of this guide:

- Chapter 1, “System overview,” describes the hardware and software features of the DocuPrint 4850/4890/92C NPS/IPS. It also provides information about highlight color.
- Chapter 2, “Printer controller overview,” describes the hardware and software components of the printer controller.
- Chapter 3, “Printer components and options,” describes the printer components and possible configurations. It also traces the path of the paper through printer, which is helpful in locating possible paper jams.
- Chapter 4, “Network printing,” provides information that is specific to network printing.
- Chapter 5, “IPDS printing,” provides information that is specific to IPDS printing.

- Appendix A, “Supplies,” provides information and specifications on paper and other media used with the NPS/IPS, as well as instructions for ordering supplies.

Conventions

This guide uses the following conventions:

- **All caps and angle brackets:** Within procedures, the names of keys are shown in all caps within angle brackets (for example, press <ENTER>).
- **Angle brackets:** Variable information, or the position of a specified argument in the command syntax, appears in angle brackets (for example, List Fonts <Pattern>).
- **Bold:** Within procedures, text and numbers that you enter are shown in bold (for example, enter **privilege operator**).
- **The word “enter” within procedures:** The two-step process of keying in data and pressing <ENTER> (for example, enter **y**).
- **Italics:** Document and library names are shown in italics (for example, the *Xerox DocuPrint NPS/IPS Guide to Managing Print Jobs*).
- **Quotation marks:** Keywords you can enter as arguments appear in quotes (for example, “USLetter”).
- **Vertical bars:** Alternatives to specified arguments are separated by vertical bars (for example, Set Time <Time | Remote Host Name | IP Address>).

NOTE: Notes are hints that help you perform a task or understand the text.

CAUTION

Cautions alert you to an action that could damage hardware or software.

WARNING

Warnings alert you to conditions that may affect the safety of people.

Related publications

The Xerox DocuPrint NPS/IPS documentation set includes the documents listed below.

NOTE: For a list of IBM reference manuals for IPDS printing, refer to the Solutions Guide for IPDS Printing.

- *Guide to Configuring and Managing the System*
- *Guide to Managing Print Jobs*
- *Guide to Performing Routine Maintenance*
- *Guide to Submitting Jobs from the Client*
- *Guide to Using Page Description Languages*
- *Installation Planning Guide*
- *System Overview Guide*
- *Troubleshooting Guide*
- *Solutions Guide for IPDS Printing*
- *Decomposition Service and Tools Guide*
- *Glossary*
- *Master Index*
- *Customer Information Quick Reference Card*
- *Printer Controller Commands Quick Reference Card*
- *Operator Quick Reference Card*
- *Submitting your Jobs from Macintosh Quick Reference Card*
- *Submitting your Jobs from UNIX & DOS Quick Reference Card*

- *Submitting your Jobs from Windows NT 4.0 (QuickPrint) Quick Reference Card*
- *Submitting your Jobs Using Windows NT 4.0 Drivers Quick Reference Card*

The documentation set also includes an electronic version, the DocuPrint NPS/IPS Interactive Customer Documentation CD.

1. System overview

This chapter introduces the DocuPrint NPS/IPS printing system and describes its major and optional components. It also provides information on how highlight color is used in printed documents.

Functional overview of the NPS/IPS

The NPS/IPS printers support the processing and printing of PDL and ASCII jobs from network workstations, as well as IPDS jobs from an IBM host. Supported PDL formats are PostScript levels 1 and 2, HP PCL 5c, HP PCL 5e, and TIFF.

Your organization may print only IPDS jobs, network PDL jobs, or jobs from both environments.

DocuPrint 4850, 4890, and 92C NPS/IPS printers support:

- Printing in various shades and tints of a highlight color plus black
- Printing in highlight color (black plus one color) at a rated speed of up to 50 ppm at 300 dpi (4850); 92 ppm at 300 dpi (4890); and 92 ppm at 300 or 600 dpi (92C)
- Printing simplex and duplex
- Processing and printing of network PDL jobs and IPDS jobs without soft boot to switch modes
- Multiple weights, sizes and types of paper (refer to the “Supplies” appendix for details)
- Optional high-capacity feeder
- Optional high-capacity stitcher/stacker
- Optional bypass transport for enhanced finishing and output to third-party finishing devices (4850 and 92C)
- Sixth Sense, a diagnostic tool that provides system assessment and problem analysis.

Resolution

The 4850/4890 NPS/IPS provides high print quality at 300 dpi resolution. It can receive data at 240, 300, or 600 dpi. The controller converts 240 and 600 to 300 dpi data.

The 92C NPS/IPS provides exceptional print quality at 600 dpi resolution. It can receive data at 240, 300, or 600 dpi. The controller can convert incoming data to 600 dpi for printing, or can convert the data to 240 or 300 dpi and allow the print engine to convert the pages to 600 dpi.

The following table shows how data streams of different resolutions are interpolated.

Table 1-1. **Data stream conversion**

| Printer | Incoming input resolution of document | | |
|--------------------------|---------------------------------------|------------------------------------|------------------------------------|
| | 240 dpi data | 300 dpi data | 600 dpi data |
| 4850/4890 NPS/IPS | Converted by controller to 300 dpi | Print at 300 x 300 dpi | Converted by controller to 300 dpi |
| 92C NPS/IPS | Converted by controller to 600 dpi | Converted by controller to 300 dpi | Print at 600 x 600 dpi |

NOTE: For more information on specifying appropriate resolution settings, refer to the Guide to Managing Print Jobs and the Guide to Configuring and Managing the System. For IPDS printing, refer to the Solutions Guide for IPDS printing.

System components overview

DocuPrint NPS/IPS

The entire DocuPrint NPS/IPS system includes the printer (also known as an IOT or print engine), printer controller, printer interface, and all appropriate software. “DocuPrint printer” or “printer” refers to the base printer engine (IOT) only, without the printer controller and interface.

Xerox-supplied printer controller

The printer controller includes a processor, DVD-ROM (or CD-ROM) drive, diskette drive, keyboard, mouse, and a monitor. The printer controller accepts the print job from the client workstation or host, converts the files into page images, and sends the page images to the printer. The user interface at the printer controller allows you to perform tasks such as monitoring job status, prioritizing jobs, and configuring the system.

| | |
|---|---|
| Xerox-supplied printer interface | The printer interface cables provide high-speed data transport and communication between the printer controller and the printer. |
| Xerox-supplied DocuPrint printer | The printer accepts data from the printer controller and prints the document according to the print options specified by the user. The printer also provides optional paper stitching and stacking. |

Connectivity configurations

The NPS/IPS can process network PDL and IPDS jobs concurrently.

To support the submission of jobs from a variety of hosts, configuration possibilities include:

- The same Token Ring or Ethernet connection can be used for both IPDS and Postscript/PCL.
- Both a Token Ring card and an Ethernet card can reside in the Sun workstation controller, with one being used for IPDS and the other for PostScript/PCL.
- Bus and tag attachment through the channel interface can be used for IPDS jobs from a channel-attached host; Token Ring or Ethernet connection can be used for jobs submitted over the network.

NPS/IPS concurrent printing

The Xerox NPS/IPS can receive a variety of data streams including IPDS, PostScript Levels 1 and 2, PCL 5c, PCL 5e, TIFF, and ASCII. The system automatically senses the type of job and processes it appropriately.

When your system is printing IPDS jobs, it can accept network PDL data streams in the background. When network PDL jobs are printing, only one IPDS job can be queued.

Document Feeding and Finishing Architecture (DFA)

The Document Feeding and Finishing Architecture (DFA) on the NPS/IPS supports all third-party finishing devices currently validated for the LCDS (J11) printers (DFA is not supported on the 4850). The bypass transport option is required for in-line finishing devices .

SNMP support

The system provides functionality to export the state of a printer using the Simple Network Management Protocol (SNMP), thus allowing printer management software to monitor and report on the printer state.

SNMP is a standardized communications protocol for managing arbitrary networked devices from different vendors, such as workstations, servers, printers, or routers. The information to be communicated is presented as variable name/value pairs, defined in a set of standardized management information bases (MIBs). The MIBs define the legal variables, their types, and possibly a fixed set of values.

SNMP was designed to facilitate managing a heterogeneous set of networked devices that communicate using TCP/IP. Specifically, it addressed management of the network itself and the network traffic between those devices. Over time, MIBs were defined to expand the types of devices that could be managed using SNMP. For example, MIBs were defined specific to managing a workstation or a printer.

The system currently supports variables defined in the following MIBs:

- MIB-II (RFC 1156)

This MIB defines the basic set of variables any device running TCP/IP should make accessible. It includes, for a particular device, variables for information such as a system description, information about each of the network interfaces present on the device, and information about all the IP datagrams sent and received by the device.

- **Host Resources MIB (RFC 1514)**

This MIB defines variables useful in managing a “host” system. In this context, a host is a computer that is directly used by human beings and that communicates with other similar computers attached through a network. The Host Resources MIB includes information such as how long the system has been up, descriptions of the processors and attached storage devices, and possibly information about software running on the host.
- **Printer MIB (RFC 1759)**

This MIB defines information useful in managing a printer. It includes information about the physical status of the printer, such as the number of input trays, the media loaded in them, and the number and types of marking engines included in the printer.

Most variables in these MIBs are supported in a standard way, as described in the standard documentation, except that writing to read/write variables is not supported. All variables are treated as read-only. In all cases, the NPS/IPS SNMP implementation supplies textual information only in English.

IPP support

The system supports the Internet Printing Protocol (IPP), which allows you to:

- Add the printer to your PC directly as an Internet printer with a URL, rather than indirectly as an lpr-connected local printer.
- Use an IPP client to access the printer. A limited subset of IPP operations is supported; query the IPP client for details.

Sixth Sense

Sixth Sense is a unique suite of diagnostic tools that allows Xerox customer service engineers, analysts, and consultants to serve customers more effectively.

Sixth Sense is intended to automate and expedite the range of service-related support functions. Sixth Sense is a tool that enables Xerox to provide benchmark service support. Xerox customers benefit from the ability to bring broader support to focus more quickly.

For example, Sixth Sense can allow the Service Representative to repeatedly "preview" the condition of the system prior to an actual site visit. This may provide the ability to determine the correct part or piece of information to have on hand when the site visit is made.

Sixth Sense is a no-charge feature available to customers through Xerox Service. The customer need only provide an analog phone line for use by the Sixth Sense modem connection. For those customers unable to dedicate a phone line to the Sixth Sense connection, three and five port phone share devices are available for purchase.

To take advantage of Sixth Sense, the customer needs to:

- Request Sixth Sense enablement through Xerox Service
- Provide an analog phone line
- If necessary, purchase an optional phone share device.

More information about the Sixth Sense can be found in the *Troubleshooting Guide* for your system.

Software license

In order to use the operating system software, the owner must obtain a software license from Xerox. The license, which is a 20-character text string, is entered at the printer controller.

Your Xerox service representative can obtain this license text string for you and enter it when the printer is installed or when the software is upgraded. Although your service representative usually does this for you, you are able to enter your license string yourself from the NPS/IPS main window.

Until the license string is entered, your printer cannot print or receive data. You can, however, perform all offline tasks, such as setting up virtual printers.

For details on obtaining and entering the license string, refer to the *Guide to Configuring and Managing the System*.

How highlight color is created

A document with highlight color contains one color plus black. The color may be printed either as a solid color or combined with black. The NPS/IPS prints the highlight color by printing small dots in a single pass with near-perfect registration. The following methods are used to create various tints, shades and tones:

- Tints of black or the highlight color are created by printing dots of black or color with white space between them, thus producing a percentage value of the color. An example of this is gray or pink.
- Shades are created by printing black dots next to dots of the highlight color. An example of this is dark red.
- Tones are created by printing a combination of black dots, color dots, and blank space. The result is a percentage value of black and the highlight color. Dark red is made by mixing dots of red and black. Gray-pink is made by mixing red dots, black dots and some blank space.
- The patterns of dots are known as screens. Screens are defined in the printer controller software as a matrix of bits, which correspond to printed dots. The screen defines which dots in the matrix are black, which are highlight color, and which are not printed.

How to convert full color to highlight color

The NPS/IPS provides a selection of black dry ink and ten color dry inks:

1. Red
2. Green
3. Blue
4. Cyan
5. Magenta
6. Cardinal (red)
7. Royal (blue)
8. Ruby
9. Violet
10. Brown.

When the NPS/IPS receives a full-color document, the printer software matches the colors as closely as possible. If you specify a color in your document that the NPS/IPS cannot print, it is printed either as a shade of gray or as an equivalent tone of highlight color.

To control color conversion in your document, you can use the map color option, also called “extraction color.” The map color option is used to specify which color in the full color document you want to print using the highlight color. Colors you do not specify in the map color option print as shades of gray.

You can make the map color differ from the highlight color so that red parts of a document are printed as green, or blue portions are printed as red, and so forth.

The highlight color rendering algorithm enables you to specify the qualities of a document that are the most important to preserve. The highlight rendering attributes allow you to distinguish between different colors, use preset color tables, apply pictorial mapping for pictures, and apply presentation mapping for other objects.

NOTE: To determine the RGB values of a specified highlight color, view the system options. When the Pictorial highlight color rendering algorithm is used, the specified RGB value saturates on the page. When the presentation algorithm is used, the RGB value does not saturate on the page.

Color substitution

If the print document calls for a color that is not installed in the printer, the printer controller acts according to the current color substitution parameters.

The options for color substitution with the color mismatch action are:

- **Abort:** Deletes the job.
- **UseLoadedColor:** Uses the dry ink that is currently loaded on the printer.
- **RequestOperatorIntervention:** Causes a job to be ineligible for printing until the highlight color is changed.

You can specify these color substitution options at a client workstation when submitting a job to the printer, or by specifying the HighlightColorMismatchAction attribute in a virtual printer.

2. Printer controller overview

The printer controller manages print options, provides the user interface, and runs system management and diagnostic operations on demand. The following is an explanation of tasks that enable the job to be printed:

- The printer controller detects which job protocol is being sent.
- Print option parameters are stored in the Job Pool Manager (JPM) database, which maintains a database of all jobs. This database contains a reference to the print data on the fixed disk, as well as the print options parameters for the print data. The JPM responds to the printer controller commands for deleting, holding, and prioritizing jobs.
- Print data is stored on the printer controller disk for queuing and while printing.
- When the printer controller begins processing a job, it sends the print data to the decomposer. The decomposer converts the print data into a bitmap in the resolution appropriate to the printing device.

The decomposer utilizes font data from font files stored on the printer controller disk or font information sent to the printer controller with the print job.

- When processed data comes back from the decomposer, the printer controller Device Driver transmits the print data and print option parameters to the printer. Printing is then initiated.
- After the job has been printed successfully, the print data file is deleted from the disk. If an error inhibits job completion, the printer controller manages the recovery and completion of the job.

The system can manage the processing of multiple jobs and the printing of another job simultaneously. When you are printing IPDS jobs, the printer controller is able to queue multiple PostScript and PCL jobs at the same time. When you are printing PostScript and PCL jobs, you can send only one IPDS job.

Printer controller components

The printer controller consists of a specially-configured Sun workstation and uses proprietary Xerox hardware, firmware, and software.

Your system may use one of two platforms for the printer controller:

- Sun Blade 1000
- Sun Ultra 60 workstation

Sun Blade 1000 workstation

The printer controller is based on the Sun Blade 1000, a workstation with a high-performance architecture for complex processing tasks. It contains the following hardware components:

- Processor (system unit) containing the following:
 - Two UltraSPARC III 750 Mhz central processing unit (CPU) modules
 - 4 GB memory (four 1 GB Dual In-line Memory Modules, or DIMMs)
 - 36 GB hard disk drive
 - DVD-ROM drive
 - 3.5 inch diskette drive
- Keyboard and mouse
- Monitor
- Optional Token Ring board
- Two printer controller Interface (PCI) boards installed in the processor to interface with the print engine.

Optional components

For channel connection to a host for IPDS printing, the system may use a channel interface board that is connected to a channel cable connector box.

An external 4 mm tape drive is available and recommended for backing up site files. A typical color calibration file is 1.5 MB.

A second internal 36 GB hard disk drive is optional, as are two additional external disks.

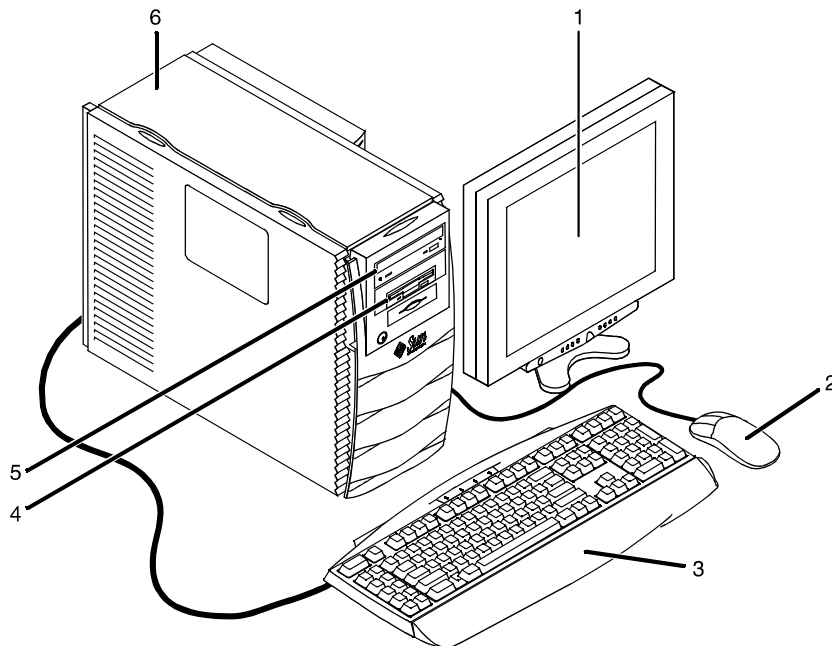


Figure 2-1. Components of the printer controller

1. Monitor
2. Mouse
3. Keyboard
4. Diskette drive
5. DVD-ROM drive
6. Processor

Processor

The central processing unit contains the memory, internal disk drive, a graphics board, a DVD-ROM drive, a diskette drive, power receptacle and outlet, connectors and ports.

- **Memory:** Four 1 GB Dual In-line Memory Modules, or DIMMs are provided as a standard feature of the processor.
- **Hard disk drive:** A 36 GB primary disk drive is provided as a standard feature of the processor. The operating system, the NPS/IPS application, and any queued print jobs are stored on the internal disk. This disk cannot be used to store other applications or data except as directed by your service representative.
- **Graphics board:** The Creator-3D series 3 graphics board is provided as a standard feature of the processor.

- **Diskette drive:** Diskettes inserted into a diskette drive are used to install fonts and to load files to, and back up files from, the internal disk drive. The diskette drive uses industry standard 3.5 inch, 1.44 MB, double-sided, high-density diskettes.
- **DVD-ROM drive:** The DVD-ROM drive is a high density, read-only, optical laser storage device used for loading the NPS/IPS operating system and other files. The CD-ROM drive is located in the processor above the diskette drive.
- **Back panel:** The back panel of the processor has a power receptacle and outlet, connectors, connector openings, and ports. The following figure shows the back panel of the controller.

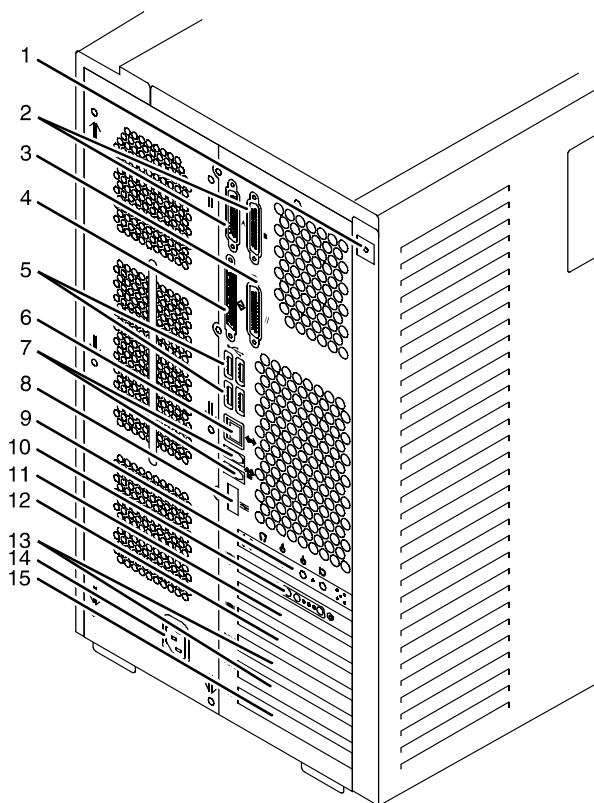


Figure 2-2. Back panel of the printer controller

1. Access panel lock block
2. Serial connectors A and B, DB-25
3. Parallel connector
4. SCSI connector
5. Universal serial bus (USB) connectors

6. Twisted-pair Ethernet (TPE) connector
7. IEEE 1394 connectors
8. Fibre Channel-Arbitrated Loop (FC-AL) connector
9. Audio module headphones, line-in, line-out, and microphone connectors
10. Graphics card / video connector (frame buffer 0)
11. PCI card slot 4
12. Graphics card / video connector (frame buffer not used)
13. PCI card slots 3 and 2
14. Power connector
15. PCI card slot 1

Keyboard The keyboard consists of alphanumeric keys similar to a typewriter, symbols and special character keys, an extended character set, and function keys. You can use the keyboard to make selections, and to enter commands that control functions such as requesting sample prints, or shutting down the system.

Mouse Use the mouse to select, move, or resize the windows.

Display monitor The 18.1-inch LCD monitor allows you to interact with the printer and to monitor its interaction with the various components. During a print job, printer error messages may display to notify you of any unexpected conditions.

NOTE: For information on channel-attached systems, refer to the chapter, "IPDS printing environment".

NOTE: Printer controller hardware configurations are subject to upgrade.

Sun Ultra 60 workstation

A PCIM2 card for the Sun Ultra 60 is installed in the processor. The printer cable is connected to the processor. In addition, the processor contains the connectivity boards for Ethernet and optional Token Ring. The disk stores the operating system, the system software, and any buffered pages.

Optional components

For channel connection to a host for IPDS printing, the system may use an HCU.

An external 4 mm tape drive is available and recommended for backing up site files. A typical color calibration file is 1.5 MB.

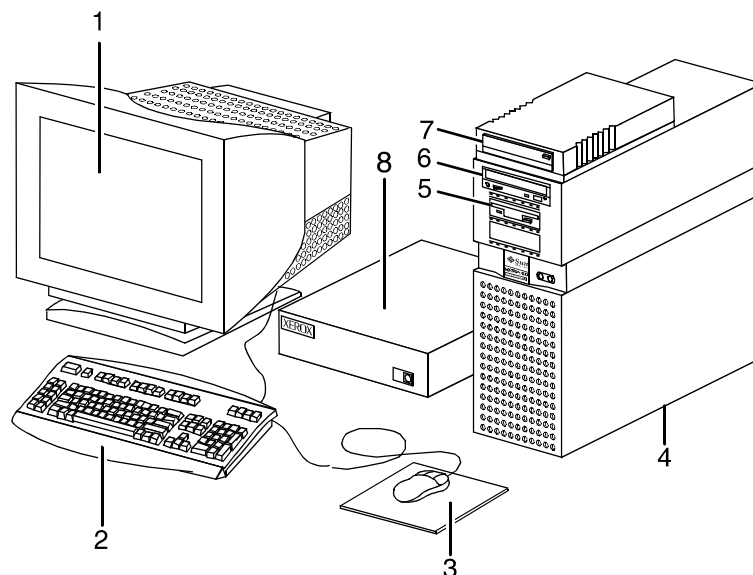


Figure 2-3. Printer controller components (Sun Ultra 60)

1. Monitor
2. Keyboard
3. Mouse
4. Processor
5. Diskette drive
6. CD-ROM
7. Optional cartridge tape drive
8. Optional HCU

Processor

The central processing unit contains the memory, internal disk drive, a CD-ROM drive, a diskette drive, power receptacle and outlet, connectors and ports.

- **Diskette drive:** The floppy disk drive is located in the processor. It uses industry standard 3.5 inch, 1.44-MB, double-sided, high-density floppy disks. This disk drive is not an input source for print jobs or for any other data or application. It is reserved exclusively for use by a service representative to update software and to store files.

- **CD-ROM:** The CD-ROM drive, located in the processor above the diskette drive, is a high-density, read-only, optical laser storage device used for loading the software, fonts and other files.
- **Cartridge tape drive:** The Sun Ultra 60 offers an optional 8 GB, 4 mm external SCSI cartridge tape drive. Unlike the diskette and CD drives, this tape drive is not an input source for print jobs or for any other data or application. It provides the service representative with another means of loading system maintenance files or saving diagnostic information.

Keyboard The keyboard consists of alphanumeric keys similar to a typewriter, symbols and special character keys, an extended character set, and function keys. You can use the keyboard to make selections, and to enter commands that control functions such as requesting sample prints, or shutting down the system.

Mouse Use the mouse to select, move, or resize windows.

Display monitor The display monitor has a high-resolution color screen, which displays the user interface screen.

NOTE: For information on channel-attached systems, refer to the chapter, "IPDS printing environment".

NOTE: Printer controller hardware configurations are subject to upgrade.

Printer controller software and fonts

The installation of printer controller software is performed by your service representative once all the hardware components are in place and properly connected. The following is a summary of major software components installed on the printer controller:

- Xerox printer controller software
 - UNIX Sun operating system

NOTE: The Sun operating system used on the controller is based on the standard Sun operating system; however, it has been customized for use with the Xerox printer controller. Therefore, not all standard Sun operating system features are available.

- DocuPrint Print Service Software including software components for the user interface, driver, decomposers, Job Pool Manager, and other operating system utilities.
- Xerox Client Software
 - Xerox client protocol software (print command) can be downloaded to client workstations or PCs as a means of sending jobs.
- Adobe Type 1 PostScript fonts
 - Courier (Courier, Bold, Oblique, Bold Oblique)
 - Helvetica (Helvetica, Bold, Oblique, Bold Oblique, Light, Light Oblique, Black, Black Oblique Condensed, Condensed Oblique, Condensed Bold, Condensed Bold Oblique Narrow, Narrow Bold, Narrow Oblique, Narrow Bold Oblique)
 - ITC AvantGarde Gothic (Book, Book Oblique, Demi, Demi Oblique)
 - ITC Bookman (Demi, Demi Italic, Light, Light Italic)
 - ITC Garamond (Light, Light Italic, Bold, Bold Italic)
 - ITC Korinna (Korinna, Kursiv Regular, Bold, Kursive Bold)
 - ITC Zapf Chancery (Medium Italic)
 - ITC Zapf Dingbats (Medium)
 - New Century Schoolbook (Roman, Bold, Italic, Bold Italic)
 - Palatino (Roman, Bold, Italic, Bold Italic)
 - Symbol (Medium)
 - Times (Roman, Bold, Italic, Bold Italic)

Using font installation commands, you can load other Type 1 PostScript fonts in *.PFB file format from a MS-DOS-formatted, 3.5-inch diskette or CD-ROM or DVD-ROM. Refer to the *Guide to Configuring and Managing the System* for more information on the font installation commands. Type 1 and Type 3 PostScript fonts can also be downloaded with a print job.

- PCL fonts: Intellifont (scalable)
 - CG Times (Medium, Italic, Bold, Bold Italic)
 - Universe (Medium, Italic, Bold, Bold Italic)
 - Universe Condensed (Medium, Italic, Bold, Bold Italic)
 - Courier (Medium, Italic, Bold, Bold Italic)

- Letter Gothic (Medium, Italic, Bold)
- Albertus [Medium (semi-bold), Extra Bold]
- Antique Olive (Medium, Italic, Bold)
- Clarendon Condensed (Bold)
- Coronet (Medium Italic)
- Garamond [Antique (medium), Kursiv (Italic), Halbfett (Bold), Kursiv Halbfett (Bold Italic)]
- Marigold (Medium)
- CG Omega (Medium, Italic, Bold, Bold Italic)
- PCL fonts: TrueType (scalable)
 - Arial (Medium, Italic, Bold, Bold Italic)
 - Times new Roman (Medium, Italic, Bold, Bold Italic)
 - Symbol (Medium)
 - Wingdings (Medium)
- PCL fonts: Bitmap
 - Line Printer (16.67 pitch / 8.5 point medium)

NOTE: The resident fonts are used for PostScript and PCL printing.

3. Printer components and options

The printer processes the electronic data and images received from the controller and produces the printed output. This chapter describes the components and options available for the printer.

Printer components

The NPS/IPS printers contain the xerographic engine, two standard feeder trays, a sample tray, the printer console, and one of three possible output configurations: the dual stacker, the dual stacker with bypass transport, or the stitcher/stacker.

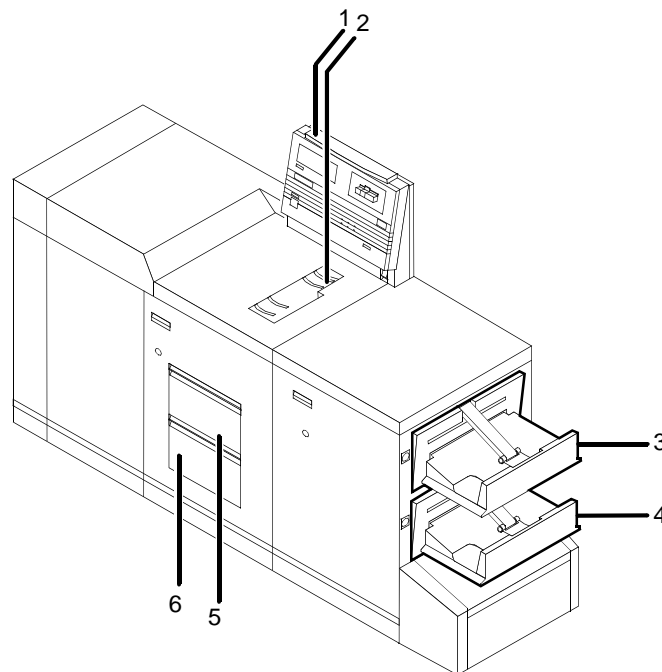


Figure 3-1. 4850/4890/92C NPS/IPS printer

1. Printer console
2. Sample tray
3. Stacker tray 1
4. Stacker tray 2

5. Feeder tray 1

6. Feeder tray 2

Printer console The printer console contains message and graphic displays, an attention light, and Information, Stop, and Continue buttons. Indicator lights show which feeder tray is active and the paper size in use.

Sample tray This output tray is used for sample prints, rejected prints, and transparencies. The capacity of the sample tray is 100 sheets of 20-pound or 80-grams per square meter (gsm) paper.

Dual stacker trays 1 and 2 Each output stacker tray has a capacity of 750 sheets of 20-pound or 80-gsm paper (1,500 sheets total capacity). The alternatives to the dual stacker configuration are the stitcher/stacker or bypass transport option.

Feeder tray 1 The capacity of tray 1 is 1,000 sheets of 20-pound or 80-gsm paper.

Feeder tray 2 The capacity of tray 2 is 500 sheets of 20-pound or 80-gsm paper. Except for capacity, this tray is identical to tray 1.

Printer console

The printer console contains message and graphic displays, as well as attention and status indicator lights that alert you to printer conditions. The indicators and the Information button help you to solve printer problems. The Stop and Continue buttons give you temporary control of the printer without interrupting input processing.

NOTE: The 4850/4890/92C does not provide sample prints while a job is running, therefore, the Sample Print button has no effect on the operation.

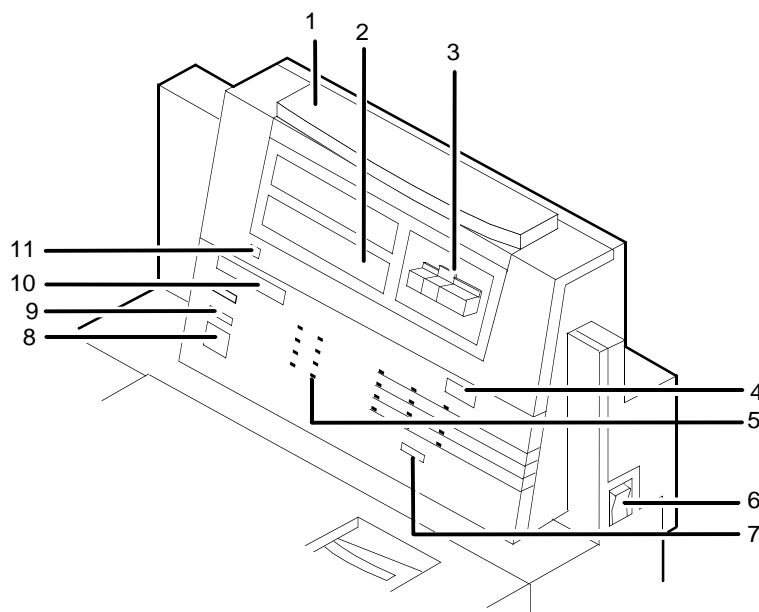


Figure 3-2. Printer console

1. Attention light
2. Message display
3. Graphic display
4. Wire percentage indicator
5. Feeder tray indicators
6. Power on/off switch
7. Sample button (not used)
8. Continue button
9. Stop button
10. Fault code display
11. Information button

Attention light

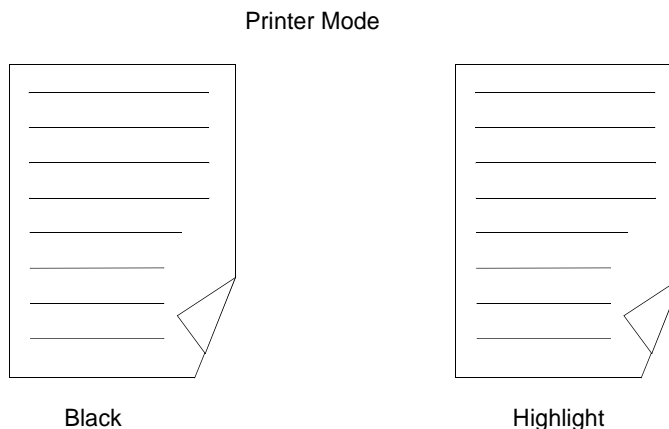
The yellow attention light glows whenever the system detects an actual or potential problem. When the attention light starts flashing, an explanatory message appears on the printer console display. A similar error or warning message appears on the user interface of the printer controller.

- When the light is flashing, you should act immediately to remedy situations. Typical problems are a paper jam or a full waste container that have caused the printer to stop.

- When the light glows steadily, act soon to avoid a cycle-down. A steady glow typically indicates that paper or dry ink is low.

Message display

Printer status and simple operating and maintenance instructions are shown in a two-line message. One of the following icons indicates the printer mode:



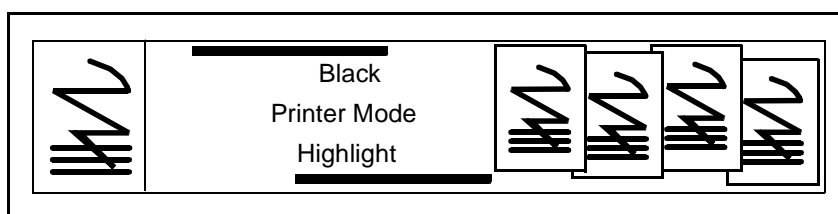
Also in the lower panel, the dry ink color currently loaded is shown.

Graphic display

The graphic display shows a specific area of the printer requiring attention. The graphics help you locate the problem.

Icon display

The icon display is located in a rectangle below the graphic display. The printer mode is indicated by the words that are lighted--Black or Highlight (color). The printer indicates the color of ink loaded in the printer by lighting one of the icons on the right (red, blue, green, or "other").



Wire percentage indicator

If your printer has a stitcher/stacker, it displays the percentage of stitcher wire remaining on the spool.

Feeder tray indicators

These lights indicate the selected feeder tray or trays and the size of paper loaded in each tray.

| | |
|---------------------------------------|--|
| Power on/off switch | This switch controls power to the printer and is used primarily by service representatives. |
| Sample button | The sample feature is not used. |
| Continue button | <p>The Continue button resumes printing when it is pressed.</p> <p>While it is formatting a complex page, the printer controller may cycle down the printer if the page image is not available within a certain amount of time. If this occurs, the following message appears:</p> <p>Press <CONTINUE> to resume printing</p> <p>You can ignore this message. As soon as the page image is available, the printer controller cycles up the printer and printing automatically resumes.</p> |
| Stop button | Pressing the Stop button halts printing. |
| Fault code display | When enabled by a service representative, shows the number of completed prints and printer fault codes. When a fault code displays here, the corresponding message appears in the message display. |
| Information button | When “i” appears on the message display, you can press this button for additional information on printer operation. You can press the button repeatedly for more information as long as “i” appears. |
| Sample tray | This output tray receives sample prints of system files, rejected prints, and transparencies. The capacity of the sample tray is 100 sheets of 20-pound or 80 gsm bond. There is no tray full sensor, therefore, empty this tray regularly to avoid paper jams. |
| Dual stacker trays 1 and 2 | Each output stacker tray has a capacity of 750 sheets of 20-pound or 80 gsm bond (1500 sheets total capacity). An alternate to the dual stacker configuration is the stitcher/stacker. |
| Feeder trays | <p>The standard configuration contains two feeder trays with the following capacities (based on 20-pound or 80 gsm bond):</p> <ul style="list-style-type: none">• Tray 1: 1000 sheets• Tray 2: 500 sheets. (Except for capacity, this tray is identical to tray 1.) |

Additional printer features

Additional features of the NPS/IPS include the following:

- Instruction labels** Located throughout the printer to assist you with a variety of tasks.
- Power savers** To conserve energy, the printer has two power savers: one for the raster output scanner (ROS) and one for the fuser.
- After a predetermined period, each of these parts times out and shuts down. The time-out period can be adjusted by a service representative to meet your needs. The printer console automatically brings the printer out of power saver mode when there is a document to be printed.
- The ROS power saver times out after about an hour of inactivity and requires about 30 seconds to warm up.
 - The fuser power saver times out after about four hours and requires four to seven minutes to warm up.
- Language button** Systems with the dual language option have this button to select a message display that shows a different language, such as French instead of English.

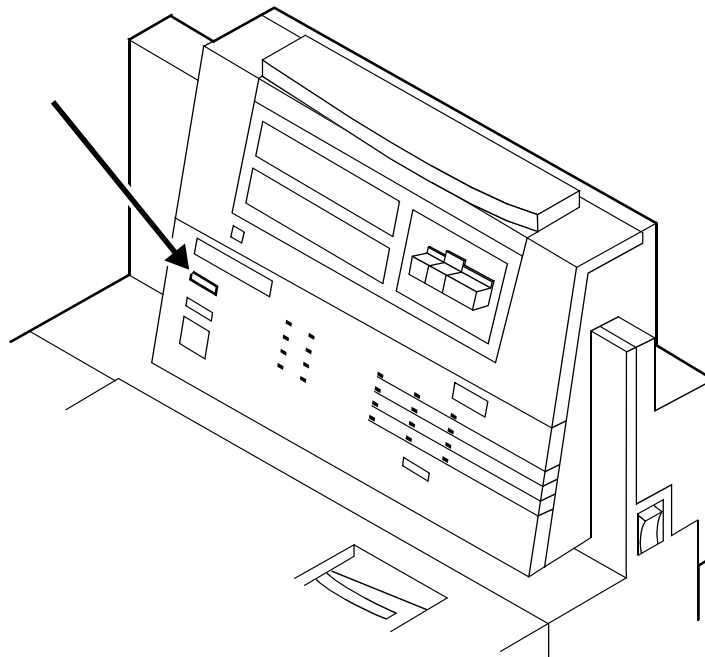


Figure 3-3. Language button on printer console

CCU changeout cart The cart is used to remove and install the customer changeable unit (CCU). The CCU consists of the color developer housing and the dry ink bottle. Because the CCU is heavy, the user will need the cart to make the change.

The carts also serve as storage devices for the CCUs that are not currently in use. For example, if you use both the red and blue dry inks in your operation, one CCU is always out of the machine in storage on the cart while the other CCU is installed.

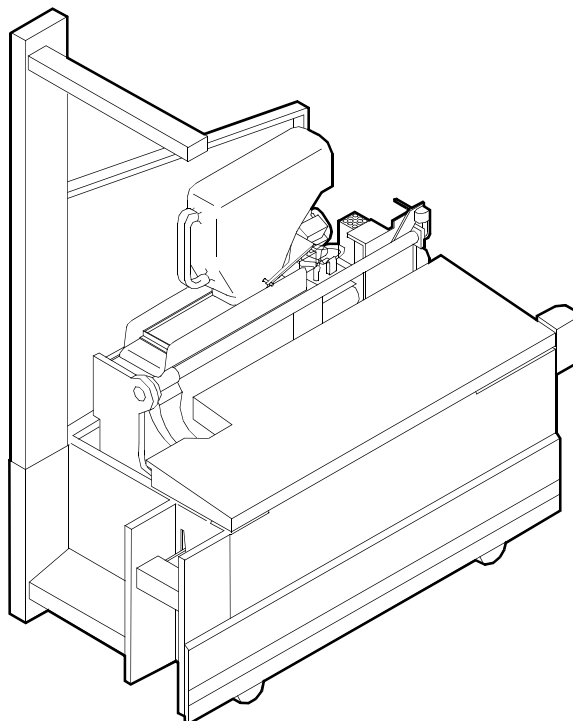


Figure 3-4. CCU on cart

NOTE: You should have a cart for each CCU so that a cart is always available to remove the CCU that is installed in the system. You may not need a cart for each CCU if only one color is used or if there is more than one color printer at your site. Consult your site representative for more details.

Printer configurations

The NPS/IPS may be configured with a high-capacity feeder, a dual stacker, a wire stitcher/stacker, or a bypass transport with a dual stacker.

High-capacity feeder

The high-capacity feeder (HCF) provides two additional feeder trays. The extra trays work interchangeably with feeder trays 1 and 2 to allow automatic tray switching and uninterrupted printing time.

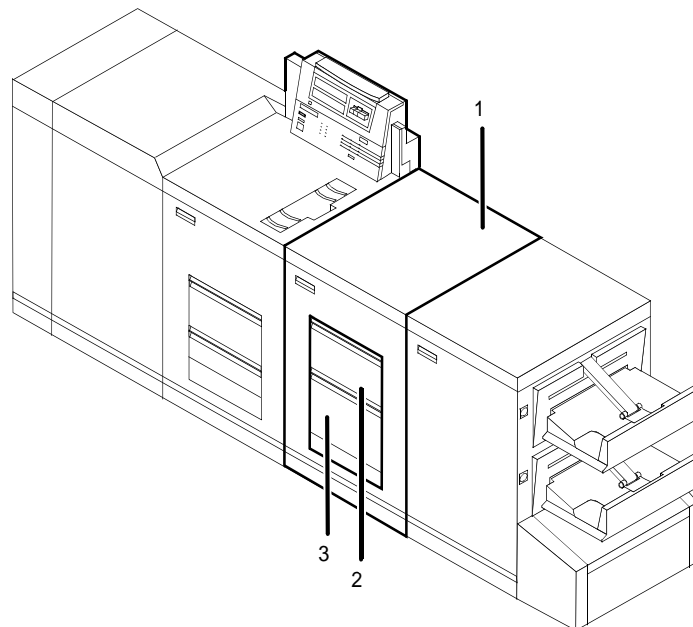


Figure 3-5. 4850/4890/92C NPS/IPS with high-capacity feeder

1. High-capacity feeder unit
2. Feeder tray 3
3. Feeder tray 4

Tray capacities Each high-capacity feeder tray holds 1000 sheets of 20-pound or 80 gsm bond.

Paper sizes Both high-capacity feeder trays handle paper sizes from 8 by 10 inches / 203 by 254 mm to 8.5 by 14 inches / 216 by 352 mm. This range includes international paper size A4 (8.27 by 11.16 inches / 210 by 297 mm).

Dual stacker

The dual stacker contains two identical output trays. Output can be sent to either of these trays or both of these trays.

NOTE: A dual stacker is required on the NPS/IPS for installation of the bypass transport.

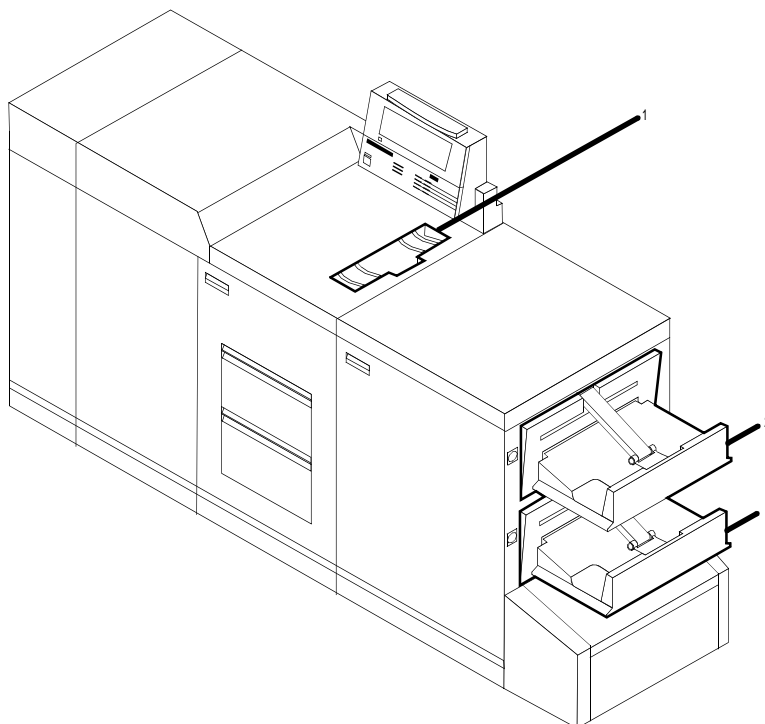


Figure 3-6. 4850/4890/92C NPS/IPS printer with dual stacker

1. **Sample tray (top tray)**
2. **Stacker tray 1**
3. **Stacker tray 2**

| | |
|-----------------------|---|
| Sample tray | Used for sample prints, rejected prints, and transparencies. Holds up to 100 sheets of 20-pound or 80 gsm bond. |
| Stacker tray 1 | Holds up to 750 sheets of 20-pound or 80 gsm bond. |
| Stacker tray 2 | Holds up to 750 sheets of 20-pound or 80 gsm bond. |

Stitcher/stacker

The stitcher/stacker inserts wire-stitches (staples) into documents.

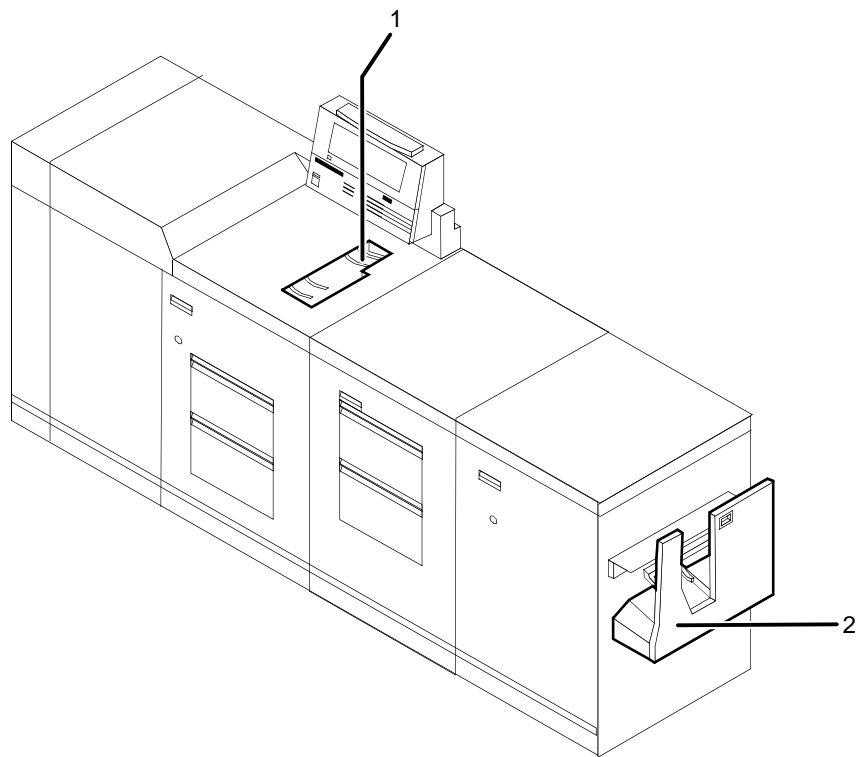


Figure 3-7. 4850/4890/92C NPS/IPS printer with stitcher/stacker

1. **Sample tray**
2. **Stitcher/stacker tray**

Sample tray Used for sample prints, rejected prints, and transparencies. Holds up to 100 sheets of 20-pound or 80 gsm bond.

Stitcher/stacker tray Used for output that is stitched (stapled) and/or offset. The tray holds up to 2000 sheets of unstitched 20-pound or 80 gsm bond, or an equally high stack of stitched sets (200 two-sheet sets). A stitched set consists of up to 50 sheets of 20-pound or 80 gsm bond. The wire supply provides up to 32000 staples.

NOTE: Mixed paper sizes are not supported for stitching. If your system has a stitcher/stacker, the printer cycles down when it detects any specification for stitching different-sized papers.

Bypass transport (4850 and 4890 only)

The optional bypass transport enables individual printed sheets of paper to pass through the NPS/IPS output tray to third-party finishing devices. These devices perform a variety of finishing tasks, such as saddle-stitching, binding, folding, stapling, trimming, and stacking.

The bypass transport fits into tray 1 of the NPS/IPS dual stacker. Printed pages flow from left to right (when viewed from the front of the printer). The printed pages travel through the NPS/IPS output module and bypass transport, out of the paper exit slot, and into the finishing device. For paper up to 14 inches long, the maximum delivery rate is 92 sheets per minute.

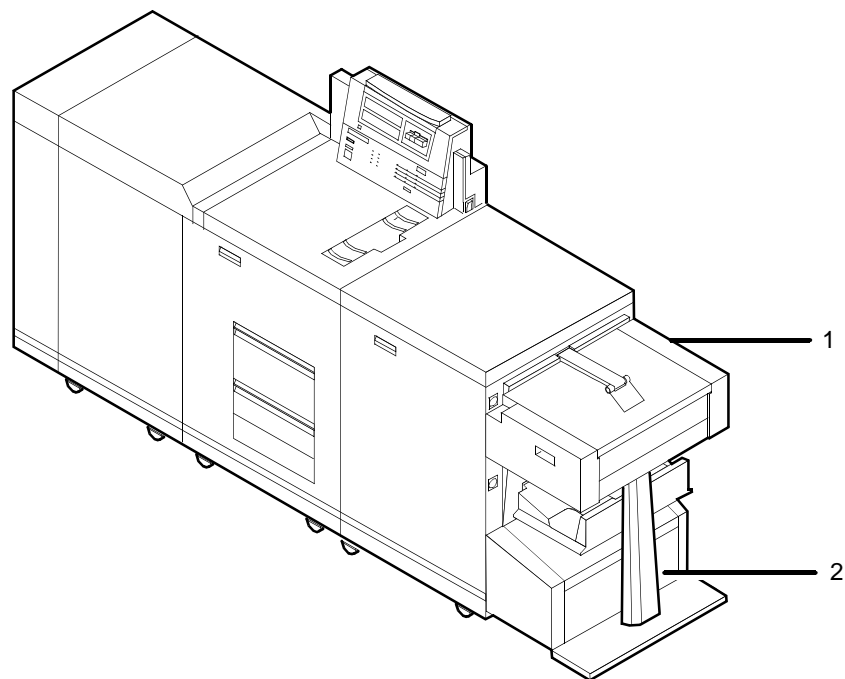


Figure 3-8. 4890/92C printer with bypass transport and dual stacker

1. Bypass transport
2. Bypass transport support

Software, firmware, hardware, and paper requirements

The optional bypass transport requires the following:

- Dual stacker output module
- Standard white, colored, predrilled, or preprinted paper. To minimize paper jams and misfeeds, use 20 pound or 80 gsm (grams per square meter) bond xerographic grade. Xerox 4024 Dual Purpose Paper and Xerox 10 Series Dual Purpose paper are optimal. Use paper with less than 6% moisture content so that the paper will not curl and jam.

NOTE: The time between sheets exiting the bypass transport for 8.5 by 11-inch / 216 by 279 mm paper, A4 paper, and 8.5 by 14-inch / 216 by 352 mm paper is 492 milliseconds in simplex mode and 1052 milliseconds in duplex mode. All times are measured between the trail edge of the exiting sheet and the lead edge of the next entering sheet.

Operator tasks for the bypass transport

To use the bypass transport and third-party finishing devices, you must perform several tasks:

- Install and remove the bypass transport.
- Set up DFA personality profiles to provide the NPS/IPS with information about each finishing device.
- Prepare the finishing device hardware necessary to finish the printed output and inform the NPS/IPS of device names and parameters.
- Enter appropriate commands at the printer controller to initiate finisher jobs.
- Clear paper jams in the bypass transport.

You learn how to install and remove the bypass transport and clear jams in the operator training that is provided by Xerox following installation of the bypass transport.

In addition, you must know how to prepare the third-party finishing device to process printed output. Obtain this information from your third-party supplier.

Profiles for third-party finishing devices

When a bypass transport is connected to the NPS/IPS, you can add any number of third-party finishing devices.

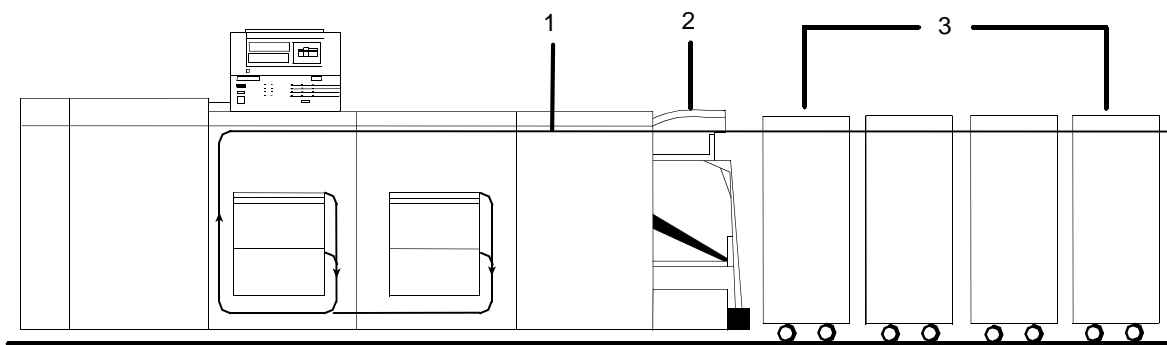


Figure 3-9. Third-party finishing device configuration

1. Paper path
2. Bypass transport
3. Third-party finishing devices

Each third-party device is identified by a specific personality profile. The personality profile contains information about the options available with the finishing device (for example, a booklet-making device that can produce both side-stitched and saddle-stitched booklets). It also specifies timing requirements, constraints, flags, and other parameters.

You can create several personality profiles that correspond to different configurations of the finishing device. Refer to your *Guide to Configuring and Managing the System* for information on creating personality profiles.

Mechanical interface

To connect a third-party finishing device to the NPS/IPS bypass transport, you align the finishing device with the paper exit slot of the bypass transport, dock the finishing device, and establish an electrical interface between the two.

Connecting the bypass transport to third-party finishing devices involves the following:

- **Alignment:** Your finishing device align at the correct height without interference from protruding features. To accomplish this, you must consider the feature locations and the vertical alignment.
- **Paper exit:** The finishing device must align with this exit slot. Printed sheets travel through the printer output module and bypass transport, out of the paper exit, and into the finishing device. The paper exit slot is 16.75 inches (425.45 mm) wide.
- **Module mobility:** Your finishing device must be easy to move so that you can align it precisely.

The following figure illustrates the alignment and docking locations for the bypass transport on the printer (the bypass transport support is not shown).

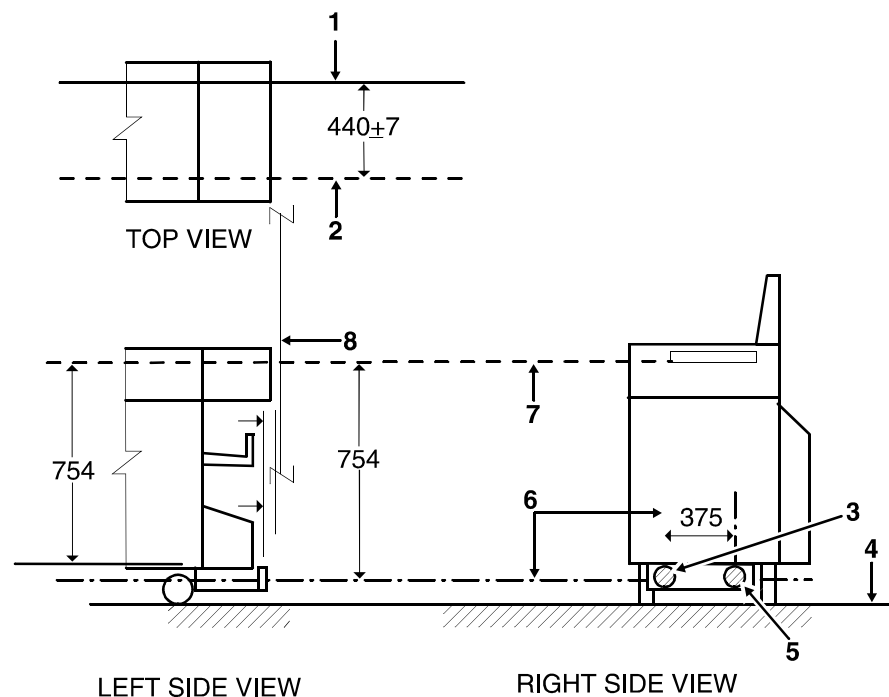


Figure 3-10. Alignment and docking locations (in millimeters)

1. Sheet registration edge
2. Sheet edge
3. Vertical slot to accept 13 mm
4. Floor
5. 22 mm diameter docking zone
6. Center line of docking features

7. Sheet path
8. Finishing device left edge

Electrical connection

The printer automatically detects the presence of the bypass transport and third-party finishing devices when it is powered up. The system also begins monitoring the interlocks (physical links) between the bypass transport and the finishing device. It then starts interface communications.

After a sheet of paper passes through the bypass transport to the external finishing device, the printer loses all record of it. Communications between the printer with bypass transport and the finishing device consist of command and status signals.

Command signals

NPS/IPS can send three command signals to third-party finishing devices:

- **Cycle up:** The printer is powered up and signals the finishing device to power up
- **Sheet exit:** A sheet of paper has entered the finishing device
- **End of set:** The last sheet of a print job set has been sent

Status signals

The third-party finishing device can send five status signals to the NPS/IPS:

- **Sheet delivered:** A sheet of paper has been successfully delivered to the finishing device.
- **Set delivered:** A print job set has been successfully delivered to the finishing device.
- **Offline:** The finishing device has no power or is not connected to the NPS/IPS.
- **Full:** The finishing device is full and cannot accept more sheets.
- **Faulted:** The finishing device is jammed or faulted and is not ready to accept sheets of paper

Paper paths

The paper path is the route that stocks (paper, transparencies, labels, and so on) follow through the printer from the feeder trays to the output trays.

The figure below illustrates the simplex (one-sided output) paper path of a printer with a dual stacker tray and a standard feeder tray. The materials move from either feeder tray 1 or feeder tray 2 and are stacked in either stacker tray 1, stacker tray 2, or the sample tray, depending on your selection at the beginning of the job.

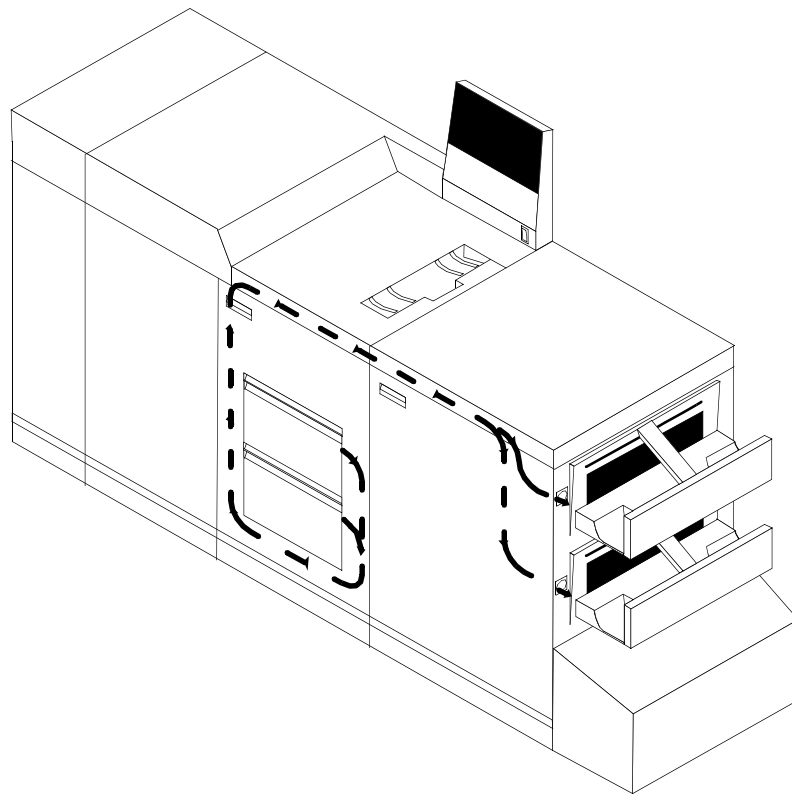


Figure 3-11. Simplex paper path (dual stacker configuration)

The following figure illustrates the duplex (two-sided output) paper path of a printer with a dual stacker and a standard feeder. Materials may originate in either feeder tray 1 or feeder tray 2. The duplex paper tray receives the materials before they go through a second time to receive the second image. As the pages move through for the second image, they follow the simplex path. The pages are then stacked in either stacker tray 1 or stacker tray 2, depending on your selection at the beginning of the job.

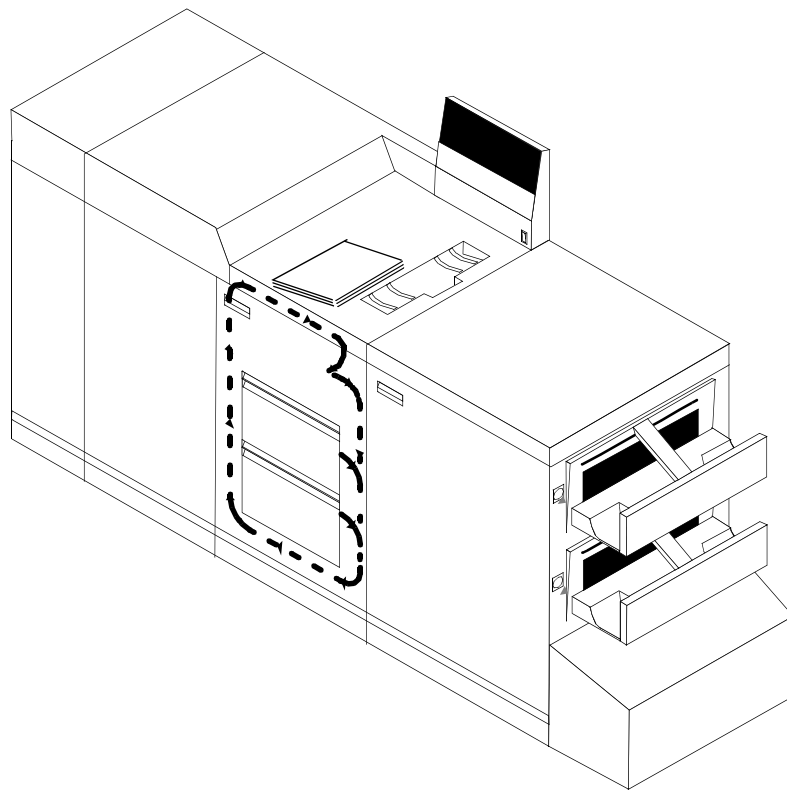


Figure 3-12. Duplex paper path (dual stacker configuration)

When you add a high-capacity feeder to your system, only the beginning of the paper path changes, which is the source of paper supply.

The following figure illustrates the simplex paper path of a printer with the high-capacity feeder.

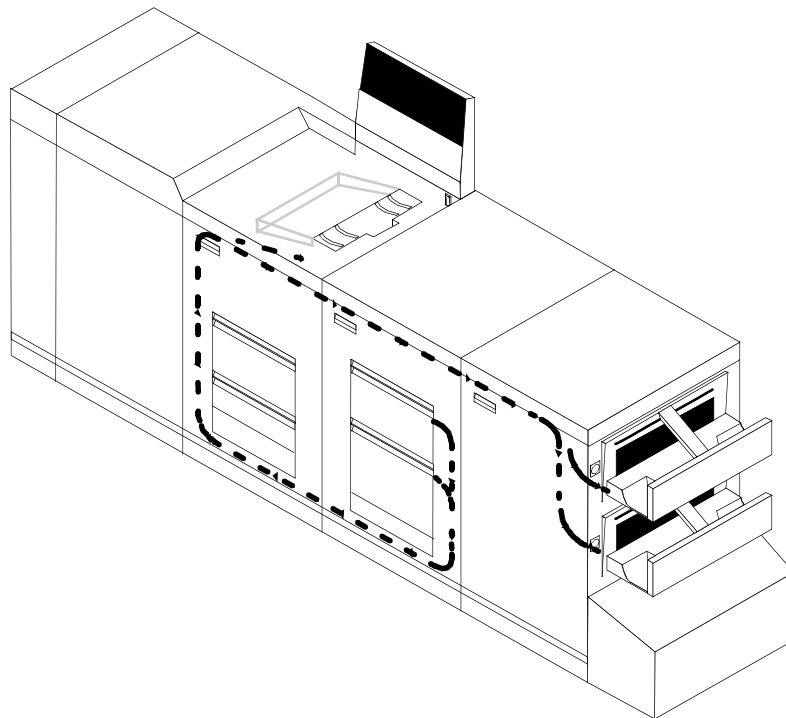


Figure 3-13. Simplex paper path (printer with high-capacity feeder)

If you have the stitcher/stacker option, the paper path is the same, except there is only one tray for the output (other than the sample tray).

4. Network printing environment

The NPS/IPS system supports the personal computer (PC), Sun workstation, DEC workstation, HP/Apollo, IBM RS/6000 and Apple Macintosh. It accepts PostScript levels 1 and 2, PCL 5, TIFF, and ASCII output.

Client workstations and system software

To send print jobs to the printer, the customer needs to provide the proper client hardware, operating system, and network software.

Print data originates at the client workstation, mainframe or minicomputer. This is where a user creates and formats documents according to specifications with the help of application software. The printer supports the following types of networked client workstations and operating systems:

- Sun workstation running a Sun or Linux operating system
- PC running MS-DOS 6.2 and Microsoft Windows 95, 98, NT, 4.0, 2000, and ME using Ethernet with TCP/IP or Novell NetWare 3.11 and 3.12.

NOTE: Customers using Novell 4.1 must set the "Bindery Emulation Mode" to be backwards compatible with Novell 3.11 and 3.12.

- IBM RS/6000 running IBM AIX, version 4.1
- HP/Apollo running HP-UX, version 10.01
- DECStation 5000/200 running DEC Ultrix, version 4.3
- Apple Macintosh, System 7, 7.5, or 8.x, using AppleTalk through EtherTalk, phase 1 or 2
- Any system that supports RFC-1179 lpr/lpd.

The software may be compatible with workstation models and software versions other than those listed above.

Client software

On your PC or workstation, you must install or set up a supported means of submitting jobs to the printer. Depending on your system, you can use the following:

- Xerox drivers for Windows 3.x, 95/98, or NT/2000
- Xerox Document Submission Software for DOS, Windows 3.x, 95/98, NT/2000, or Macintosh
- Third-party drivers
 - Some PostScript drivers can be used in conjunction with Xerox-supplied PPD files
 - HP Color LaserJet for PCL 5c jobs
 - HP LaserJet 4 for monochrome jobs
- Third-party TCP/IP lpd utility
- Apple/Macintosh Printer Access Protocol (PAP)

NOTE: The printing options vary according to the network software that is loaded on the client workstation.

Submitting print jobs

There are basically two ways you can submit print jobs: You can send print data directly from the application to the printer; or you can create a PDL data file on the workstation and then send the data file to the printer. The method you choose depends on the workstation configuration and the job submission requirements.

Sending the print data directly from the application to the printer is accomplished with a Xerox print driver or a third-party driver. This method is sometimes referred to as “transparent printing.” It may not support all available print options, such as number of copies, simplex or duplex printing, and stitching.

The other way to submit print jobs to the printer is by creating a PDL data file. After the file is created, the user closes the document and submits the job using one of the following methods:

- **lpr command:** Provides options for submitting print jobs. The functionality of the lpr command is dependent on the TCP/IP software installed on the workstation.

- **Xerox Client Software:** Provides a print command for submitting jobs and specifying print options. The functionality of the print command is dependent on the TCP/IP software installed on the workstation.
- **Xerox DocuPrint Document Submission Client software for the Macintosh:** Provides a graphical user interface for submitting jobs and specifying print options.
- **Xerox DocuPrint Print Submission software for Windows 3.x, Windows 95/98, Windows NT, and Windows 2000:** Provides graphical user interfaces for submitting jobs and specifying print options.
- **Internet Printing Protocol for Windows 2000:** Allows job submission over the Internet.

In many cases, the workstation can be set up for more than one method of job submission.

The application software provides the capability to print the document using a page description language (PDL). The application produces print data in one of the supported page description language formats, for example PostScript level 2.

Communicating with the network

After the print data has been prepared for printing and combined with print options data—either by the application software or by a print job submission utility—the print job is sent over the network.

The printer supports TCP/IP, AppleTalk, and Novell NetWare network communications protocols.

Client workstations require a network software utility that submits the job using the appropriate network protocol. This software must be installed and running for jobs to be submitted successfully to the printer. Once this software is installed, its operation is transparent to the user.

The Macintosh uses Printer Access Protocol (PAP) to communicate with one or more DocuPrint printers. For convenience, your network may be divided into zones. A zone can be any logical grouping of individual workstations and printers. Your network administrator defines your zone when setting up the network.

Shown below are the workstations, networking options, and job submission methods available for each client.

Table 4-1. Clients

| Client workstation hardware | Operating system | Ethernet connection | Protocol; Translation requirements | Job submission method |
|--|-------------------------|--|--|---|
| Sun Microsystems | Solaris SunOS | Standard | TCP/IP; none | Print using the lpr command or Xerox Client Software. |
| IBM PC and compatible | MS-DOS | Optional Ethernet interface card (for example, 3Com 3C503) | TCP/IP; <i>network communication utility recommended</i> | Print to disk file, then send using the lpr command or Xerox Client Software. |
| IBM PC and compatible | Windows 3.1 | Optional Ethernet interface | TCP/IP or Novell Netware 3.1x; <i>network communication utility recommended with TCP/IP</i> | Print directly from application or use Xerox DocuPrint Print Submission software for Windows. |
| IBM PC and compatible | Windows 95/98 | Optional Ethernet interface | TCP/IP or Novell Netware 3.1x; <i>network communication utility recommended with TCP/IP</i> | Print directly from application or use Xerox DocuPrint Print Submission software for Windows. |
| IBM PC and compatible | Windows NT | Optional Ethernet interface | TCP/IP or Novell Netware 3.1x; <i>network communication utility recommended with TCP/IP</i> | Print directly from application or use Xerox DocuPrint Print Submission software for Windows. |
| IBM PC and compatible | Windows 2000 | Optional Ethernet interface | TCP/IP or Novell Netware 3.1x; <i>network communication utility recommended with TCP/IP</i> | Print directly from application or use Xerox DocuPrint Print Submission software for Windows, or the Internet Printing Protocol (IPP) |
| Digital Equipment Corporation DECstation | ULTRIX | Optional Ethernet interface | TCP/IP; <i>none</i> | Print directly from application, or use the lpr command or Xerox Client Software. |

Table 4-1. Clients (Continued)

| Client workstation hardware | Operating system | Ethernet connection | Protocol; Translation requirements | Job submission method |
|------------------------------------|-------------------------|-----------------------------|--|--|
| Apple Macintosh | Apple OS | Optional Ethernet interface | AppleTalk using EtherTalk Phase I or II; <i>none</i> | Print directly from application or use Xerox DocuPrint Print Submission Client software for the Macintosh. |
| IBM RS/6000 | IBM AIX | Standard | TCP/IP; <i>none</i> | Print using Xerox Client Software. |
| HP/Apollo | HP-UX | Standard | TCP/IP; <i>none</i> | Print using Xerox Client Software. |

Job status feedback

Client workstations display fault messages and additional information, such as the status of feeder trays and output bins. If properly configured, the workstations may be able to display job status, as shown below.

Table 4-2. Job status feedback

| Platform | Job status capability |
|---------------------------------------|---|
| Sun workstation | Job status and job deletion are available by issuing the appropriate command at the command line. Job status information is available for jobs submitted using Xerox Client Software. |
| IBM and compatible personal computers | Job status and job deletion are available depending on the TCP/IP software installed on the workstation. You must issue the appropriate command at the command line. Job status information is available for jobs submitted using Xerox Client Software. Job status information is available using the Novell PCONSOLE utility if the printer is configured with a RPRINTER or PSERVER enabled. |
| Apple Macintosh | Job status information is available at the workstation through AppleTalk. |
| IBM RS/6000 and HP/Apollo | Job status information is available for jobs submitted using Xerox Client Software or lpstat (native utility). |

To determine the status of jobs submitted using the `lpr` command, you must issue an `lpq` command at the command line. Some application software packages may provide a simplified means of obtaining job status, such as through the use of icons.

The job status command (lpq) is available at client workstations unless your TCP/IP network communications utilities do not support it.

Xerox Client Software provides commands for listing the status of the job and for listing the queue. These commands are available for jobs submitted using Xerox Client Software.

AppleTalk provides job status information at the client workstation through the print monitor function. Workstation users can also determine the status of a virtual printer.

NOTE: Job status is also available by establishing a telnet connection to the Printer Controller to access the user interface from your workstation. Printer and additional status information is also available. You can also use a Web browser to obtain job status. See the Guide to Configuring and Managing the System for more information.

Ethernet LAN

Users of networked client workstations may send print jobs to the printer over the Ethernet LAN using either the TCP/IP, AppleTalk using EtherTalk Link Access Protocol (ELAP), or Novell NetWare as the network protocol.

Regardless of printing or transmission protocol, the Ethernet connection to the Printer Controller must be compatible with the Institute of Electrical and Electronics Engineers (IEEE) 802.3 standard.

Token Ring

Users of networked client workstations may send print jobs to the printer over a Token Ring network using TCP/IP, Novell NetWare or AppleTalk network protocol.

Regardless of the printing transmission protocol, the Token Ring connection to the Printer Controller must be compatible with the Institute of Electrical and Electronics Engineers (IEEE) 802.5 standard.

Multiple network connectivity

The system supports multiple network connectivity, that is, the ability for protocols such as TCP/IP to run on more than one network interface. For TCP/IP, the system can support any combination of Ethernet or Token Ring. One interface is designated as the primary network interface. Novell NetWare can run on only the primary network interface, but the type of interface can be selected.

AppleTalk can run on only one network interface, but it does not have to be the primary one.

5. IPDS printing environment

The NPS/IPS emulates an IBM AFP Group 3 page printer with the Advanced Function Image and Graphics (AFIG) option. It can print in all the following PSF environments: MVS, VM (channel-attached only), VSE (channel-attached only, OS/2, OS/400 (with TCP/IP only), and AIX.

NOTE: Although PSF/VSE does not support TCP/IP directly, a printing system with PSF/2, PSF/6000, or IBM InfoPrint Manager can attach to a PSF/VSE system and the PSF/2, PSF/6000, or IBM InfoPrint Manager can furnish the TCP/IP support for the printer.

Host connectivity

Host environments

The system emulates an IBM AFP Group 3 page printer with the Advanced Function Image and Graphics (AFIG) option and can print in all the following PSF environments:

- MVS
- VM (channel-attached only)
- VSE (channel-attached only)
- OS/2
- OS/400 (with TCP/IP only)
- AIX

NOTE: Although PSF/VSE does not support TCP/IP directly, a printing system with PSF/2, PSF/6000, or InfoPrint Manager can attach to a PSF/VSE system and the PSF/2, PSF/6000, or InfoPrint Manager can furnish the TCP/IP support for the printer.

NOTE: There is no minimum host operating system software level required. The minimum PSF level needed to support full color is v.3.2.

The NPS/IPS can be set up to receive data from the IBM host in one of two ways:

- Through a bus and tag channel connection.

NOTE: If your system will be channel-attached, the printer controller requires an additional component—either a channel interface board and channel cable connector box, or a Host Channel Unit (HCU) that serves as an interface between the IBM host and the printer controller.

- Through a Token Ring or Ethernet interface using TCP/IP.

NOTE: Your system supports only one other connectivity option in addition to Ethernet. For example, Ethernet and channel connection or Ethernet and Token Ring.

NOTE: A transmission rate of at least 16 megabits per second should be used with a Token Ring interface. (Overall performance depends on network traffic and job density.)

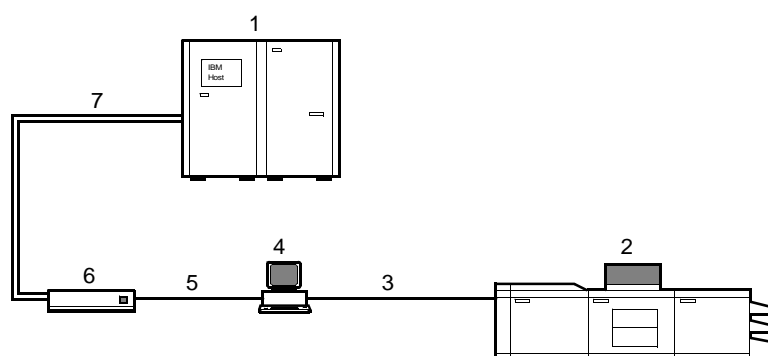


Figure 5-1. Printing system: channel-attached configuration

1. Host system (PC or mainframe)
2. Printer
3. Printer interface cables
4. Printer controller
5. Internal channel cable
6. Host Channel Unit (HCU)
7. Bus and tag cables

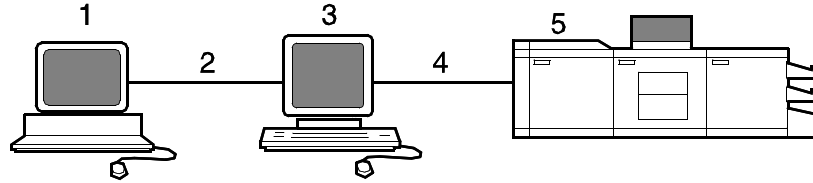


Figure 5-2. Printing system: TCP/IP configuration

1. Host system (PC or mainframe)
2. Interface network (Ethernet or Token Ring)
3. Printer controller
4. Printer interface cables
5. Printer

For information on the various printer configuration options, refer to the “Printer components and options” chapter of this guide.

Channel interface —channel-attached systems only

Your system may use a channel interface board and connector box for channel connection to a host for IPDS printing. The channel interface board, connected to a channel cable connector box, handles all IPDS communications and handshaking with PSF on the host when the NPS/IPS is receiving data over a channel. (It is not used when the NPS/IPS is printing data using TCP/IP.)

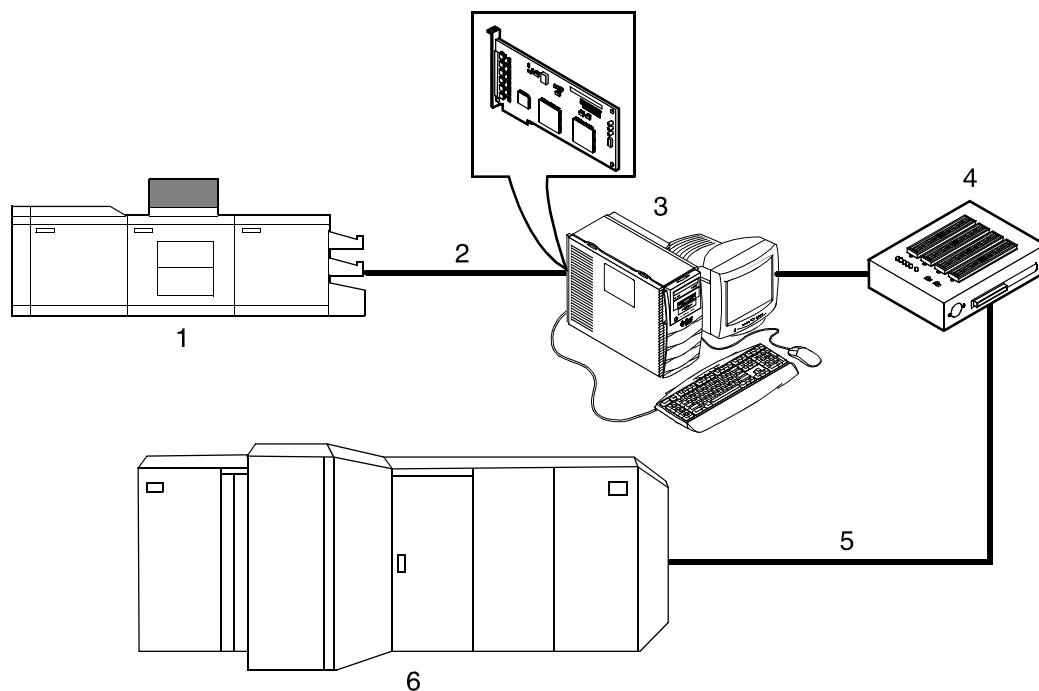


Figure 5-3. Channel board and control unit

1. Printer
2. Printer control and video cable
3. Printer controller with channel interface board
4. Channel cable connector box
5. Channel cables
6. Host system

NOTE: The customer is responsible for obtaining, stringing, and maintenance of the bus and tag cables. The bus and tag cables must be fully populated cable sets.

Host Channel Unit (HCU)—channel-attached systems only

Your system may use a Host Channel Unit (HCU) for channel connection to a host for IPDS printing.

The HCU handles all IPDS communications and handshaking with PSF on the host when the system is receiving data over a channel. It is not used when the system is printing data using TCP/IP.

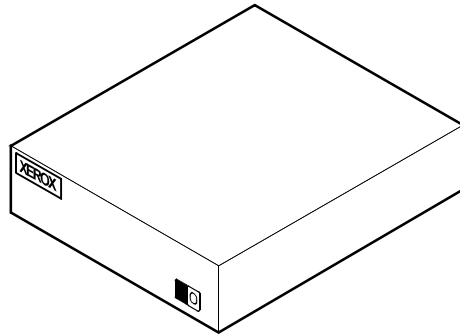


Figure 5-4. Host Channel Unit (HCU)

The front panel of the HCU provides a single-digit LED display that enables you to monitor power-up and offline status, and alerts you to error conditions. (Refer to the Messages Guide for an explanation of the HCU codes.)

The back panel of the HCU has a power switch and outlet, bus and tag cable input and bypass connectors, and a dual serial port.

NOTE: The customer is responsible for obtaining, stringing, and maintenance of the bus and tag cables. The bus and tag cables must be fully populated cable sets.

IPDS data stream

All IPDS resources (print data sets, page definitions, form definitions, page segments, fonts, and overlays) that are supported by the IBM 3825 and 3827 printers are supported by the Xerox software. Additionally, the data towers that are supported within the AFP environment by the IBM 3825 and IBM 3827 printers are fully supported by the software. Data towers supported are:

- **IM Image IMD1**
- **FOCA:** Font Object Content Architecture
- **MO:DCA-P:** Mixed Object Document Content Architecture for Presentation
- **PTOCA PT1, PT2, and PT3:** Presentation Text Object Content Architecture
- **IOCA:** Image Object Content Architecture
- **GOCA:** Graphics Object Content Architecture
- **BCOCA:** Bar code Object Content Architecture

- **OL1:** Overlay One
- **PS1:** Page Segment One
- **Line mode data streams**

Each of the data objects follow the same object rule of containing delimiting fields with structured fields describing each object.

Software features for IPDS

This section describes some of the software features for IPDS printing.

IOCA Replicate and Trim

The printer supports Replicate and Trim, which improves the processing of IM and IO images that contain large areas of shaded graphics. (IM images are resolution-dependent images that cannot be compressed or scaled; IO images are resolution-independent.)

The IOCA Replicate and Trim capability allows for faster transmission to the printer of AFP applications with IM images that have large or widespread shaded areas. It also reduces the storage area required on the host and on the printer.

Trace facility

To help diagnose problems, the system provides a trace mechanism. Trace files store system configuration information, maintain TCP/IP protocol headers, and time-stamp all records.

For detailed information on this feature, refer to the “Using utility commands” chapter in the *Guide to Configuring and Managing the System*.

Overstrike, underscore, subscript, and superscript

Support for the PT2 Subset of PTOCA enables the printer to print overstrikes, underscores, subscripts, and superscripts where specified in jobs.

Color image support

Some IM1 images (for example, logos) can be converted to IOCA for resolution correction. The bi-level IOCA feature enables such IM1 images to be printed in color on the highlight-color printer. PSF does not strip the color information from the print job.

Also supported are JPEG compressed IOCA, as well as JPEG and EPS files in object containers.

NOTE: Hosts may not support JPEG files in object containers.

Background color for OCA colors

Users can specify COLOR on DRAWBOX (i.e., background color) as long as the color is restricted to colors defined with the OCA model.

Bi-level IOCA colors

The printer accepts the new IOCA color spaces in the extended controls (referred to as the “4E” color triplets). These include the Highlight Color and Standard OCA Color.

Outline font support

The printer supports the use of IBM outline fonts for both single-byte and double-byte applications. These fonts must be downloaded during the jobs.

These outline fonts allow users to specify a single font that can be rasterized in a variety of point sizes by the printer. The IBM outline fonts are based on Adobe type 1 and type 0 fonts that are in PostScript format.

A. Supplies

This appendix provides information and specifications for the media you use with your Xerox DocuPrint 4850/4890/92C NPS/IPS printer. Instructions for ordering supplies are also provided.

Consumable supplies (those that are depleted during operation of the system), such as paper, dry ink, developer, fuser agent, etc., must be ordered for your printer. It is important that an adequate supply of these items be on hand for installation, and that your supply be maintained afterwards.

Paper and other throughput stocks

The success of any print run is greatly dependent on the proper selection, care, and handling of the stock used.

Selecting paper

You need to select your paper carefully. If you do not use the proper paper, you increase the probability of paper jams and misfeeds. The stocks you use must meet the specifications set forth by Xerox for operability in the printer. For additional information about paper specifications, refer to *Helpful Facts about Paper*, delivered with your printer.

Acceptable paper stocks and sizes

Your 4850/4890/92C printer accepts the following standard size cut-sheet papers:

- US Letter: 8.5 by 11 inches / 216 by 279 mm
- US Legal: 8.5 by 14 inches / 216 by 356 mm
- A4: 8.27 by 11.69 inches / 210 by 297 mm

Recommended weight and grade

Use a good quality, xerographic-grade paper. For best results, use paper that is 20-pound or 80 gsm (grams per square meter) bond, xerographic grade. Xerox 4024 Dual Purpose Paper provides optimal performance in the printer. Refer to the consumable supplies table, later in this appendix.

Use paper within these parameters:

- Lightest: 20-pound or 80 gsm bond
- Heaviest: 110-pound or 200 gsm index.

Characteristics

The paper stock should have the following characteristics:

- Low moisture content (a paper-to-moisture ratio below 5.7 percent). Paper with higher moisture content may curl and jam.
- Smooth surface
- Moisture-resistant wrapping
- No defects (bent edges, uneven surfaces)
- Grain long (parallel with the long side of paper).

Paper is usually fed into the printer with the long side as the leading edge. When you purchase paper, buy long-grain paper. Make sure the grain is parallel with the long side (long-grain) for the most reliable feeding and stacking.

Special stocks

Following are some guidelines for choosing and using special materials:

- **Labels:** Must be the type designed for high-speed printers and must meet the specifications described in the section above. Loading instructions are printed on all paper trays.

Load labels with the label side up. You can direct them to any output tray.

- **Transparencies:** Must be the type designed for high-speed printers and must meet the specifications described in the section above. Loading instructions are printed on all paper trays.

Load transparencies with the opaque strip to the right. All printed transparencies are delivered to the sample tray.

As long as they meet your printer's paper specifications, you can also use:

- **Tinted paper:** Available in a variety of colors, it has many uses, including calling attention to certain printed material, separating special sections, or dividing chapters of a report.
- **Preprinted paper:** May be letterhead, forms, or logos.
- **Predrilled paper:** Has a varying number of holes for use in binders or binder rings. Before loading predrilled paper, fan it to remove loose plugs that could cause paper jams. Load predrilled paper in the printer with holes to the right.
- **Perforated paper**

Paper care

Once you have purchased your paper, you must be sure it is stored and conditioned properly, so that it performs optimally in the printer with a minimum of jams.

Storing paper Paper has a tendency to curl under the heat that is present inside xerographic equipment. To minimize the amount of curling, use paper with low moisture content. Paper with excessive moisture content has a tendency to jam because of the greater curl. The maximum recommended moisture content is 5.7 percent.

Keep these points in mind when preparing your paper storage area:

- Store paper in its own wrapper; do not leave it unwrapped or where it can be damaged by dampness or heat.
- Store paper on a flat surface and not on its side or edge.
- Store reams of paper in a closed cabinet.
- Always store paper in a cool, dry area. Store on pallets or shelves, not on the floor.
- Plan ahead and keep at least a day's supply of paper in the same area as the printer to allow environmental stabilization prior to printing.

For more detailed information on paper for Xerox printers, refer to *Helpful Facts about Paper*, provided with your printer.

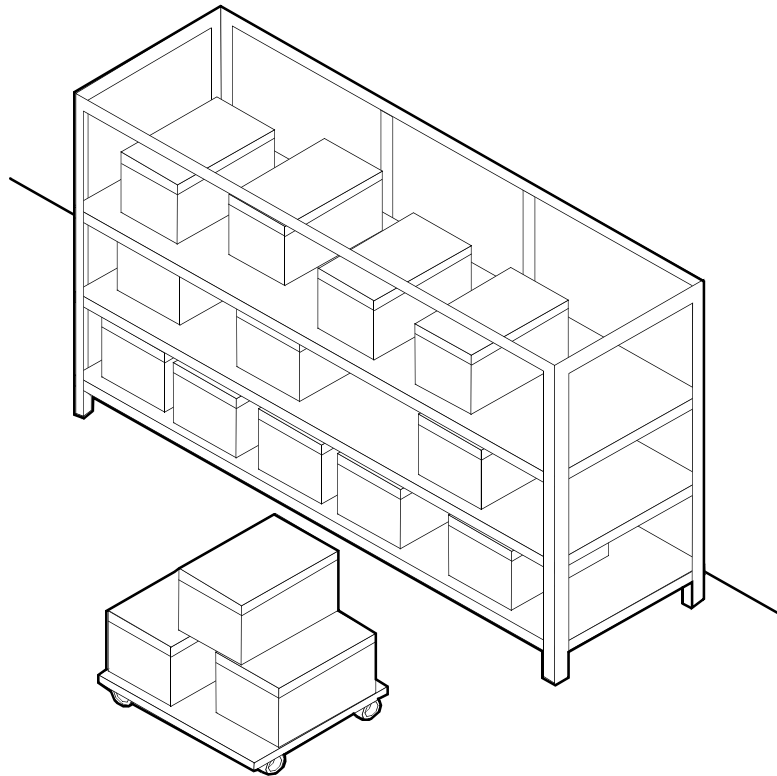


Figure A-1. Storing paper correctly

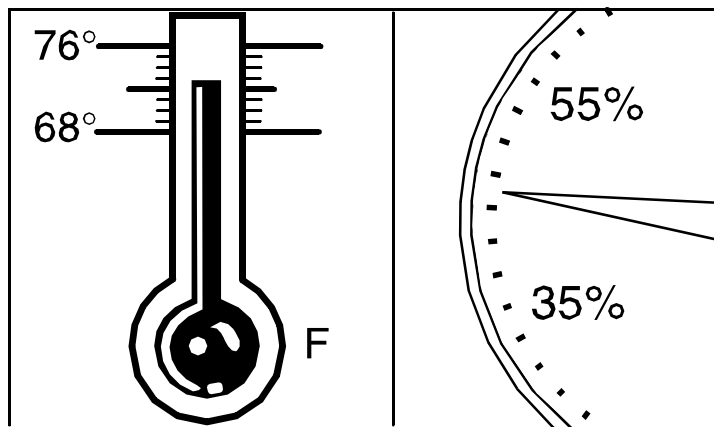


Figure A-2. Recommended temperature and humidity for paper storage

Conditioning paper

Because temperature and humidity affect paper performance in the printer, you need to condition paper before using it. To do this, store paper for a specified length of time in the same type of environment as your printer.

The length of time you should condition your paper depends on the amount of paper and the difference between the storage and operating temperatures.

Use the following chart to determine the length of time needed to condition stacked cartons of paper.

NOTE: The numbers in the top two rows indicate the temperature difference between the storage area and the operating environment, not actual room temperatures.

Table A-1. Paper conditioning: Recommended temperature differences between storage and operating areas

| Temperature differences between storage and operating areas | | | | | | | |
|---|-------|-----|-----|-----|-----|-----|----|
| Fahrenheit | | | | | | | |
| 10° | 15° | 20° | 25° | 30° | 40° | 50° | |
| Centigrade | | | | | | | |
| 5.5° | 8.5° | 11° | 13° | 17° | 22° | 28° | |
| Cartons | Hours | | | | | | |
| 1 | 4 | 8 | 11 | 14 | 17 | 24 | 34 |
| 5 | 5 | 9 | 12 | 15 | 18 | 25 | 35 |
| 10 | 8 | 14 | 18 | 22 | 27 | 38 | 51 |
| 20 | 11 | 16 | 23 | 28 | 35 | 48 | 67 |
| 40 | 14 | 19 | 26 | 32 | 38 | 54 | 75 |

Example: (See the shaded rows in the table above.) If you want to move ten cartons of paper from a storage area with a temperature of 90 °F to an operating area with a temperature of 75 °F (a 15° difference), you should do so at least 14 hours before using the paper.

Other supplies

This section describes the supplies other than paper that are necessary for installation and afterward. Your sales representative will help you place your initial supply order.

Dry ink

Dry ink (also called toner) is the powder which forms the image on the printed page. There are six cartridges of black dry ink or three cartridges of colored dry ink in each carton. You should keep at least one extra cartridge on hand at all times. The disposable cartridges are easily changed with no mess. The consumption rate of Xerox dry ink is approximately one cartridge per 30,000 pages for black dry ink and 86,500 pages for colored dry ink. Use only dry ink that is specified for use in the DocuPrint 4850/4890 printer, as described in the consumable supplies table.

NOTE: Dry ink (toner) yields are based on 5% area coverage for black dry ink and 1.5% area coverage for colored dry ink. Your yield may vary, depending on coverage.

Fuser lubricant

Fuser lubricant is a consumable item required by the printer. You should keep at least two boxes on hand for installation by the service representative. The consumption rate of Xerox fuser lubricant is approximately one tube per 120,000 pages. For product information, refer to the consumable supplies table in this appendix.

Developer

Developer is not consumed by the printer but does have an effective life of approximately 300,000 pages per bottle, guaranteed by Xerox. Developer is a required item and must be kept on hand.

Use only the developer specified for use in your 4850/4890/92C printer.

For colored inks, use the color developer specified for each color in the following table:

Table A-2. **Developers for use with colored inks**

| Ink color | Use developer | Part number |
|-----------|------------------------------------|-------------|
| Black | Black | 502S63250 |
| Blue | Blue | 502S63252 |
| Brown | Consult your Xerox representative. | |
| Cardinal | Red | 502S63251 |
| Cyan | Cyan | 502S63992 |
| Green | Green | 502S63253 |
| Magenta | Magenta | 502S63993 |
| Red | Red | 502S6325 |
| Royal | Blue | 502S63252 |
| Ruby | Magenta | 502S63993 |
| Violet | Magenta | 502S63993 |

The developer is changed by your service representative. For product information, refer to the consumable supplies table, later in this appendix.

Stitcher wire

Stitcher wire is a consumable item for a printer equipped with the stitcher/stacker option. You need to order stitcher wire reels and keep them on hand. They are installed by the service representative or operators who have completed the Advanced Customer Training (ACT) or eXcellerate courses offered by Xerox.

Diskettes

Diskettes are optional items that provide loading and backup of fonts, forms, and user files to and from the printing system. The processor accepts 3.5-inch, 1.44 MB, double-sided, high density diskettes.

Tapes

The optional 4 mm cartridge tape drive uses 5 GB or 8 GB tapes. The 1/4-inch QIC tape drive uses quarter-inch stream cartridge tapes. The tape data capacity should be 320/525 MB. Tape density is critical. The QIC drive can read low density tapes, but to write reliably requires tape with 21,000 Flux Transitions Per Inch (FTPI). The FTPI figure is usually listed on the cartridge.

Fonts

Data can be printed on DocuPrint printers in many sizes and type styles called fonts. A font is a character set which has unique characteristics, such as type style, size, weight, orientation (portrait, landscape, inverse portrait, and inverse landscape), character spacing (fixed and proportional), line spacing, and postures (Roman, italic, and so forth).

There are three classifications of fonts:

- Standard fonts
- Licensed fonts
- Custom fonts.

| | |
|------------------------|---|
| Standard fonts | A library of 51 fonts is provided with your printer's operating system software. |
| Licensed fonts | Additional fonts may be ordered from your local Xerox Font Center. |
| Custom fonts | Custom fonts and graphic images such as company logos and signatures can be digitized by the Xerox Font Center for use on your printer. |
| Receiving fonts | Fonts are received on a diskette from your local Xerox Font Center. |

Consumable supplies tables

A number of supplies are available from Xerox for your DocuPrint printer. Use the following tables to help determine your supply needs.

NOTE: Customers in the U. S. may use the part numbers in these tables to order supplies. Customers outside the U. S. should contact their local service organization for part numbers.

Paper and special stocks tables

The following tables list all throughput stocks available for the DocuPrint 4850/4890/92C NPS/IPS printer, with size, order number, and a brief description for each.

Table A-3. **Stocks list for 4850/4890/92C printer**

| Item | Description | Part number |
|--|--|-------------|
| Paper | Xerox paper quantities are 10 reams (5,000 sheets) to a carton unless otherwise noted below. | |
| 8.5 x 11 inch | 4024 Dual Purpose Paper | 3R721 |
| A4 | 4024 Dual Purpose Paper | 3R2594 |
| 8.5 x 14 inch | 4024 Dual Purpose Paper | 3R727 |
| 8.5 x 11 inch | 4024 Dual Purpose Paper, 3-hole | 3R723 |
| 8.5 x 11 inch | 4024 Dual Purpose Paper, 3-hole* | 3R2193 |
| 8.5 x 11 inch | 4024 Dual Purpose Paper, 4-hole | 3R1983 |
| 8.5 x 11 inch | 4024 Dual Purpose Paper, 4-hole* | 3R3008 |
| 8.5 x 11 inch | 4024 Dual Purpose Paper, 7-hole | 3R1984 |
| 8.5 x 11 inch | 4024 Dual Purpose Paper, 7-hole* | 3R3010 |
| 8.5 x 11 inch | 4024 Smooth | 3R2675 |
| 8.5 x 14 inch | 4024 Smooth | 3R2677 |
| 8.5 x 11 inch | Dual Purpose Colors—Blue | 3R3052 |
| 8.5 x 11 inch | Dual Purpose Colors—Blue, 3-hole | 3R3068 |
| 8.5 x 14 inch | Dual Purpose Colors—Blue, 3-hole | 3R3084 |
| 8.5 x 11 inch | Dual Purpose Colors—Green | 3R3056 |
| *5/16-inch drilled holes | | |
| ** Rainbow pack contains 750 sheets each of blue and yellow, 500 sheets each of green and pink, and 250 sheets each of buff, gray, goldenrod, and ivory. | | |

Table A-3. **Stocks list for 4850/4890/92C printer
(Continued)**

| Item | Description | Part number |
|--|--|--------------------|
| 8.5 x 11 inch | Dual Purpose Colors—Green, 3-hole | 3R3072 |
| 8.5 x 14 inch | Dual Purpose Colors—Green | 3R3088 |
| 8.5 x 11 inch | Dual Purpose Colors—Pink | 3R3058 |
| 8.5 x 11 inch | Dual Purpose Colors—Pink, 3-hole | 3R3074 |
| 8.5 x 14 inch | Dual Purpose Colors—Pink | 3R3090 |
| 8.5 x 11 inch | Dual Purpose Colors—Yellow | 3R3054 |
| 8.5 x 11 inch | Dual Purpose Colors—Yellow, 3-hole | 3R3070 |
| 8.5 x 14 inch | Dual Purpose Colors—Yellow | 3R3086 |
| 8.5 x 11 inch | Dual Purpose Colors—Buff | 3R3060 |
| 8.5 x 11 inch | Dual Purpose Colors—Buff, 3-hole | 3R3076 |
| 8.5 x 14 inch | Dual Purpose Colors—Buff | 3R3092 |
| 8.5 x 11 inch | Dual Purpose Colors—Goldenrod | 3R3062 |
| 8.5 x 11 inch | Dual Purpose Colors—Goldenrod, 3-hole | 3R3078 |
| 8.5 x 14 inch | Dual Purpose Colors—Goldenrod | 3R3094 |
| 8.5 x 11 inch | Dual Purpose Colors—Ivory | 3R3064 |
| 8.5 x 11 inch | Dual Purpose Colors—Ivory, 3-hole | 3R3080 |
| 8.5 x 14 inch | Dual Purpose Colors—Ivory | 3R3096 |
| 8.5 x 11 inch | Dual Purpose Colors—Gray | 3R3066 |
| 8.5 x 11 inch | Dual Purpose Colors—Gray, 3-hole | 3R3802 |
| 8.5 x 14 inch | Dual Purpose Colors—Gray | 3R3098 |
| 8.5 x 11 inch** | Dual Purpose Colors, Rainbow Pack—35,000 sheets per carton** | 3R3107 |
| 8.5 x 11 inches | 4200 Primary Image | 3R5802 |
| 8.5 x 14 inches | 4200 Primary Image | 3R5804 |
| 8.5 x 11 inches | 4200 Primary Image, 3-hole | 3R5803 |
| 8.5 x 11 inch | 10 Series Dual Purpose Paper | 3R2950 |
| 8.5 x 11 inch | 10 Series Dual Purpose Paper, 3-hole | 3R2952 |
| 8.5 x 11 inch | 10 Series Dual Purpose Paper, 3-hole* | 3R3016 |
| 8.5 x 14 inch | 10 Series Dual Purpose Paper | 3R2954 |
| *5/16-inch drilled holes | | |
| ** Rainbow pack contains 750 sheets each of blue and yellow, 500 sheets each of green and pink, and 250 sheets each of buff, gray, goldenrod, and ivory. | | |

Table A-3. **Stocks list for 4850/4890/92C printer
(Continued)**

| Item | Description | Part number |
|--|--|--|
| 8.5 x 11 inch | 10 Series Smooth | 3R54 |
| 8.5 x 14 inch | 10 Series Smooth | 3R83 |
| 8.5 x 11 inch | 4024 Dual Purpose, reinforced 3-hole* | 3R2057 |
| Transparencies | Xerox transparencies are packaged 100 sheets to a box. | |
| 8.5 x 11 inch | Clear, with a white strip on the edge | 3R2780 |
| 8.5 x 11 inch | Clear, high speed, with paper backing | 3R3028 |
| Labels (Gummed) | Xerox labels are packaged 100 sheets to a box. | |
| 8.5 x 11 inch | 33 labels per sheet | 3R3139 |
| 8.5 x 11 inch | 6 labels per sheet | 3R3146 |
| 8.5 x 11 inch | Custom form (uncut) | Contact Xerox Supplies Order Service |
| 8.5 x 11 inch | 1-up label | 3R4476 |
| 8.5 x 11 inch | 1-up label | 3R4475 |
| 8.5 x 11 inch | 1-up label | 3R4474 |
| Cover stock | Xerox cover stock is packaged 2,500 sheets per carton. | |
| 8.5" x 11" | 65-pound, blue | 3R3044 |
| 8.5" x 11" | 65-pound, white | 3R3041 |
| *5/16-inch drilled holes ** Rainbow pack contains 750 sheets each of blue and yellow, 500 sheets each of green and pink, and 250 sheets each of buff, gray, goldenrod, and ivory. | | |

Complete supplies list—4850/4890/92C printer

The following table lists the supplies in addition to paper that are available for your printer. Use this table to help you determine your supplies needs.

Table A-4. Complete supplies list for DocuPrint 4850/4890/92C NPS/IPS

| Item | Description | Part number | Items/ carton | Expected yield |
|---------------------------|---|-------------|-----------------------|-----------------------|
| Developer material | Packaged one container per carton. (Needs replacement only if current supply becomes contaminated.) | | | |
| | Black developer | 502S63250 | 1/carton | |
| | Red developer (also for cardinal ink) | 502S63251 | 1/carton | |
| | Blue developer (also for royal ink) | 502S63252 | 1/carton | |
| | Green developer | 502S63253 | 1/carton | |
| | Cyan developer | 502S63992 | 1/carton | |
| | Magenta developer (also for ruby and violet inks) | 502S63993 | 1/carton | |
| | For brown ink, ask your Xerox representative about the correct developer to use. | | | |
| Diskettes | 3.5-inch, 1.44 MB, double-sided, high density diskettes. Packaged 10 diskettes per box. | 8R7683 | 10/box | |
| Dry ink | Colored dry ink is packaged three bottles per carton; black, six bottles per carton. | | | |
| | Black dry ink | 6R296 | 6/carton | 180,000 prints/carton |
| | Red dry ink | 6R297 | 3/carton | 260,000 prints/carton |
| | Blue dry ink | 6R754 | 3/carton | 260,000 prints/carton |
| | Green dry ink | 6R299 | 3/carton | 260,000 prints/carton |
| | Cyan dry ink | 6R755 | 3/carton | 260,000 prints/carton |
| | Magenta dry ink | 6R816 | 3/carton | 260,000 prints/carton |
| | Royal blue dry ink | 6R826 | 3/carton | 260,000 prints/carton |
| | Cardinal dry ink | 6R825 | 3/carton | 260,000 prints/carton |
| | Violet dry ink | 6R828 | 3/carton | 260,000 prints/carton |
| | Ruby dry ink | 6R827 | 3/carton | 260,000 prints/carton |
| Brown dry ink | 6R842 | 3/carton | 260,000 prints/carton | |
| Fuser lubricant | Packaged two tubes per carton. | 8R983 | 2/carton | 240,000 prints/carton |

Table A-4. Complete supplies list for DocuPrint 4850/4890/92C NPS/IPS

| Item | Description | Part number | Items/ carton | Expected yield |
|--------------------------------|---|-------------|------------------|----------------|
| Cartridge tapes | 4mm blank cartridge tape, 5GB | 9R01190 | | |
| | 4mm blank cartridge tape, 8GB | 109R00314 | | |
| Cartridge tape supplies | QIC blank (26-track) cartridge | 9R84168 | | |
| | QIC tape drive head cleaning kit | 9R88432 | | |
| Cleaning supplies | 4mm cartridge tape head cleaning kit | 9R01189 | | |
| | Foam-tipped swabs | 99P87256 | | |
| | Lint-free towels | 35P2163 | | |
| | | | | |
| Waste containers | Dry ink waste container (4850/4890/92C) | 93K1403 | | 400,000/carton |
| | Developer waste container (4850/4890/92C) | 93K850 | | 100,000/carton |
| Stitcher wire | Packaged one reel per box. | 8R1174 | One reel | 32,000 staples |

Ordering supplies

To avoid unnecessary downtime, always have an adequate amount of the necessary supplies. To do this, you need to establish a procedure for checking and ordering supplies. A supplies checklist is provided at the end of this appendix to help you with this task. It lists the supplies needed for the printer and contains a column for you to enter the date when you want to place the order and a column to record the date of the actual order. The consumable supplies table, above, contains a list of Xerox supplies available for the printer.

It is important that you check your supplies regularly and order before you run out. Plan on approximately five working days for delivery after placing the order. You can make arrangements to receive them sooner in emergency situations.

Your Xerox sales representative can help you submit the initial order of supplies needed for installation. These items include paper, dry ink, fuser lubricant, and developer.

Once your printer volume is established, planning ahead and buying Xerox supplies in quantity can save you money. Your Xerox supply specialists can help you. There are two centers available to assist you:

- To order Xerox paper, transparencies, labels, dry ink, developer, fuser lubricant, stitcher wire, cartridge tapes, and diskettes, call the Xerox Supply Center at 1-800-822-2200, weekdays between 7:30 a.m. and 6:00 p.m., Pacific time.

If you prefer, you may mail orders to the following address:

Xerox Corporation
P. O. Box 25075
Santa Ana, CA 92799-5075

- To order cleaning supplies, call the Xerox Customer Parts and Product Support Center at 1-800-828-5881, weekdays between 5:30 a.m. and 5:00 p.m., Pacific time, (U.S. only).

You may also mail cleaning supply orders to the following address:

Xerox Corporation
Parts Marketing Center
Building 214-07S
P. O. Box 1020
Webster, NY 14580

Please provide the following information when placing orders:

- Your customer number (provided by your Xerox sales representative)
- Your printer model: 4850, 4890, or 92C
- Your supply order, including the following information:
 - Item name
 - Part number
 - Quantity desired
 - If your company requires a purchase order for payment of an invoice, you need to provide the purchase order number to Xerox at the time you place the order.

The following table is a checklist you can use to keep track of the supplies you order.

**Table A-5. Supplies checklist for
DocuPrint 4850/4890/92C NPS/IPS printer**

| Supplies checklist Use this checklist to help record the supplies and accessories you need, the date you plan to place the order, and the actual date of the order. | | | | |
|---|------------------------------------|-----------------|----------------------|---------------------|
| Item | Description and part number | Quantity | Date to order | Date ordered |
| Paper | | | | |
| | | | | |
| | | | | |
| | | | | |
| | | | | |
| | | | | |
| Transparencies, labels, and special stocks | | | | |
| | | | | |
| | | | | |
| | | | | |
| | | | | |
| | | | | |
| Dry ink | | | | |
| | | | | |
| | | | | |
| Fuser lubricant | | | | |
| | | | | |
| | | | | |
| Diskettes | | | | |
| | | | | |
| | | | | |
| Stitcher wire | | | | |
| | | | | |

**Table A-5. Supplies checklist for
DocuPrint 4850/4890/92C NPS/IPS printer**

| Supplies checklist Use this checklist to help record the supplies and accessories you need, the date you plan to place the order, and the actual date of the order. | | | | |
|---|------------------------------------|-----------------|----------------------|---------------------|
| Item | Description and part number | Quantity | Date to order | Date ordered |
| Cartridge tapes | | | | |
| | | | | |
| Cleaning supplies | | | | |
| | | | | |
| | | | | |

Index

A

Adobe fonts 2-8
Advanced Function Image and Graphics
(AFIG) 5-1
AFP environment 5-5
alignment, third-party finishing devices
3-14
attention light 3-3
attributes, highlight color 1-8

B

back panel, Sun workstations 2-4
BCOCA (Bar code Object Content
Architecture) 5-5
bus and tag
channel connection 5-2
bypass transport 1-4, 3-11–3-15

C

CCU changeout cart 3-7
CE mark xi
central processing unit 2-3, 2-6
channel cable connector box 5-3
channel interface board 5-3
channel-attached
systems 5-3, 5-4
color saturation 1-8
color substitution, highlight color 1-8
command
job status 4-6
lpq 4-5
lpr 4-5
command signals, third-party finishing
devices 3-15
commands
font installation 2-8
components
printer controller 2-2

conditioning paper A-4–A-5
connections, Ethernet 4-4–4-5
connectivity
multiple 4-7
connectivity boards 2-5
consumable supplies tables A-9–A-13
continue button 3-5
conventions xvi

D

Data Control Interface Module (DCIM2)
card 2-5
data streams 5-1, 5-5
developer A-6
DFA 1-4
diagnostic tools 1-5
diskettes A-7
Document Feeding and Finishing
Architecture, see DFA
documentation xvii
drives
disk 2-4
DVD-ROM 2-4
dry ink
toner A-6
Dual Mode 5-1
dual stacker 3-9
duplex path 3-17
DVD-ROM drive 2-4

E

electrical connection, third-party finishing
devices 3-15
Ethernet 2-5
configurations using 5-2
connections 4-4–4-5
description 4-6

F

fault code display 3-5
feedback, job status 4-5–4-6
feeder
 high-capacity 3-8
 tray 3-2, 3-8
font installation commands 2-8
fonts
 Adobe Type 1 2-8
 PCL 2-8, 2-9
fuser
 agent A-6
 shield A-6

G

GOCA (Graphics Object Content Architecture) 5-5

H

hardware
 network options 4-4–4-5
HCU 5-4
Hewlett-Packard
 PCL fonts 2-8, 2-9
high-capacity feeder 3-8
highlight color
 color substitution 1-8
 conversion from full color 1-7
 creation 1-7
 overview 1-7
 rendering attribute 1-8
 screens 1-7
Host Channel Unit 5-4

I

IBM AFP Group 3 page printer 5-1
IBM, outline fonts 5-7
information button 3-5
instruction labels 3-6
interface
 mechanical 3-13
IOCA (Image Object Content Architecture)
 5-5
IOCA colors 5-7
IOCA Replicate and Trim 5-6
IPDS data streams 5-1, 5-5

IPP 1-5

J

job
 status
 command 4-6
 feedback 4-5–4-6
 submission
 methods 4-2–4-5

K

keyboard 2-5, 2-7

L

labels
 selecting A-2
LAN
 Ethernet 4-6
 Token Ring 4-6
language button 3-6
laser safety vii
license, software 1-6
lpq command 4-5
lpr command 4-5

M

mechanical interface 3-13
message display 3-4
MO:DCA-P (Mixed Object Document Content Architecture for Presentation) 5-5
module mobility, third-party finishing devices 3-14

N

network
 communication
 overview 4-3–4-5
 protocols 4-3–4-5
 communications 4-4–4-5
 multiple connectivity 4-7

O

OCA colors 5-7
operating systems
 requirements 4-4–4-5

- operating systems supported 5-1
- operation safety, Europe ix–xi
- operation safety, U. S. viii–ix
- ordering supplies A-13–A-14
- outline fonts 5-7
- overstrike support 5-6
- ozone production information viii

- P**
- page description language, see PDL
- paper
 - characteristics A-2
 - conditioning A-4–A-5
 - exit, third-party finishing devices 3-14
 - path
 - described 3-16
 - duplex 3-17
 - simplex 3-16
 - recommended weight, grade A-2
 - size A-1–A-3
 - storing A-3
- PCIM2 card 2-5
- PCL data streams 5-1
- PCL fonts 2-8, 2-9
- PDL 4-3
- percentage indicator 3-4
- perforated paper A-3
- PostScript data streams 5-1
- PostScript fonts 2-8
- power on/off switch 3-5
- power savers 3-6
- predrilled paper A-3
- preprinted paper A-3
- print jobs
 - submitting 4-2–4-5
- printer control console
 - components 3-2–3-5
 - described 3-2
- printer controller
 - components 2-2
- printers
 - capabilities 1-1
 - components
 - CCU changeout cart 3-7
 - feeder trays 3-2
 - instruction labels 3-6
 - language button 3-6
 - power savers 3-6
 - printer control console 3-2–3-5
 - sample tray 3-2
 - stacker trays 3-2
 - dual stacker 3-9
 - high-capacity feeder 3-8
 - stitcher/stacker 3-10
- processor 2-3, 2-6
- protocols
 - network communication requirements 4-3–4-5
 - translation requirements 4-4–4-5
- PSF compatibility 5-1
- PSF/VSE 5-1
- PT2 Subset 5-6
- PTOCA (Presentation Text Object Content Architecture) 5-5, 5-6
- publications xvii

- R**
- requirements
 - operating systems 4-4–4-5
 - translation protocol 4-4–4-5
- requirements, bypass transport 3-12
- RGB values 1-8

- S**
- safety
 - hotline numbers ix
 - laser vii
 - operation viii–xi
- sample tray 3-2
- selecting
 - labels A-2
 - paper, characteristics A-2
 - transparencies A-2
- simplex 3-16
- Sixth Sense 1-5
- SNMP 1-4
- software
 - features, IPS 5-6
 - supported products 5-5
 - system 4-1
- software license 1-6

stacker
 tray 3-9
 trays 3-2
status signals, third-party finishing devices
 3-15
status, job command 4-6
stitcher wire, ordering A-7
stitcher/stacker 3-10
stop button 3-5
submitting print jobs 4-2–4-5
subscriber support 5-6
superscript support 5-6
supplies
 checklist A-15
 consumable supplies tables A-9–A-13
 developer A-6
 diskettes A-7
 dry ink
 toner A-6
 fuser
 agent A-6
 shield A-6
 paper A-1–A-3
 stitcher wire A-7
 tapes A-8
supplies table A-9–A-13
support services A-13–A-14

T

tape
 ordering A-8
TCP/IP
 Ethernet interface 5-2
telephone numbers
 Xerox Parts and Product Support
 Center A-14
 Xerox Supply Center A-14
third-party finishing devices
 mechanical interface 3-13
tinted paper A-3
Token Ring 2-5, 5-2
Token Ring LAN 4-6
toner, see dry ink
trace facility 5-6
translation requirements, protocol 4-4–4-5
transmission rate 5-2

transparencies, selecting A-2
trays
 feeder 3-2
 sample 3-2
 stacker 3-2

U

underscore support 5-6
UNIX
 Sun operating system 2-7

W

workstations
 client 4-1
 description 4-1–4-5

X

Xerox Client Software 2-8
Xerox Customer Parts and Product
 Support Center A-14
Xerox Supply Center A-14